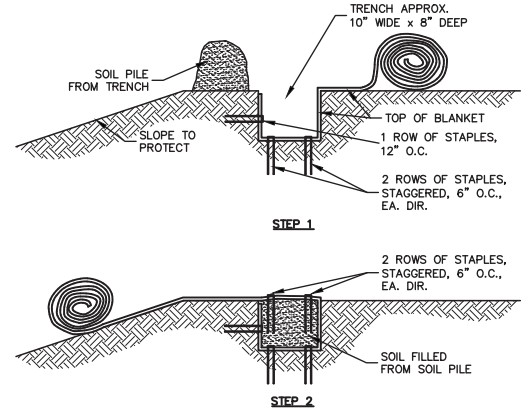
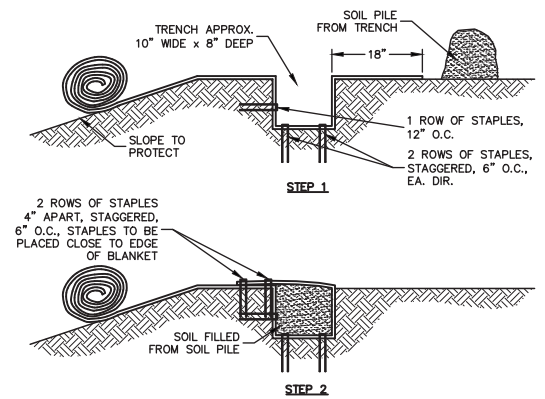
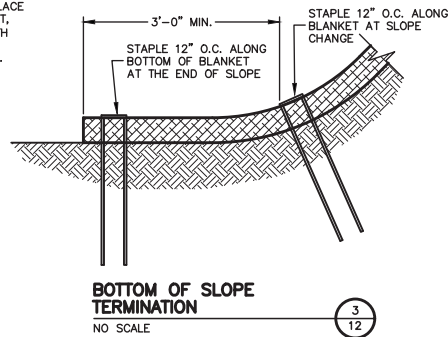
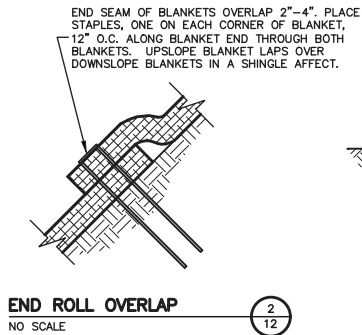


DO NOT NEED TO TRENCH BLANKET IN IF IT CAN BE EXTENDED A MINIMUM OF 3'-0" OVER THE CREST OF THE SLOPE.



SLOPE TRENCHING METHOD "A"
NO SCALE

5
12



SLOPE TRENCHING METHOD "B"
NO SCALE

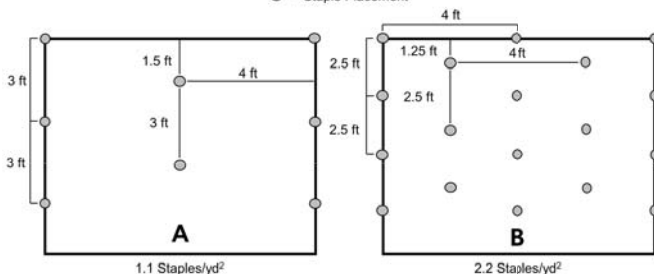
6
12

AEC Premier Coconut™ Staple Pattern Guide

For 8 ft wide AEC Premier Coconut Erosion Control Blankets

Application	Slope	
	≤ 3H:1V	≤ 1H:1V
Staple Pattern	A	B

● = Staple Placement



Notes:

1. Recommended staples are a minimum 4 in biodegradable E-Staple®, as provided by American Excelsior Company, or 6 in wire for cohesive soils and 6 in biodegradable E-Staple®, as provided by American Excelsior Company, or 8 in wire for non-cohesive soils.
2. For best results insert staples so heads are parallel to the flow of water.

