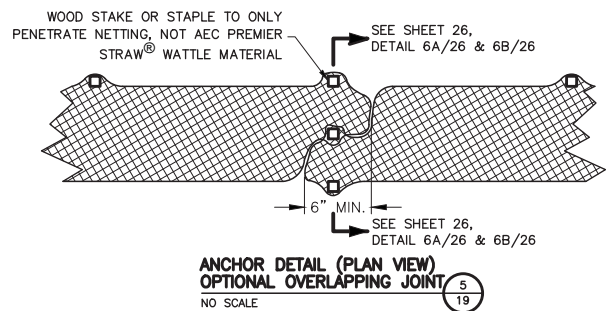


- NOTES:
- 1) 1 1/8" x 1 1/8" x 30" WOODEN STAKES ARE RECOMMENDED FOR 9" AND 12" AEC PREMIER STRAW® WATTLES.
 - 2) 1 1/8" x 1 1/8" x 48" WOODEN STAKES ARE RECOMMENDED FOR 20" AEC PREMIER STRAW® WATTLES.

American Excelsior Company Recommended AEC Premier Straw® Wattle Maximum Spacing on Slopes*

		Product Name		
		9 in AEC Premier Straw Wattle ft (m)	12 in AEC Premier Straw Wattle ft (m)	20 in AEC Premier Straw Wattle ft (m)
Slope Gradient	≤4H:1V	40 (12.2)	60 (18.3)	80 (24.4)
	3H:1V	30 (9.1)	45 (13.7)	60 (18.3)
	2H:1V	20 (6.1)	30 (9.1)	40 (12.2)
	1H:1V	10 (3.0)	15 (4.6)	20 (6.1)

* Tighter spacing may be required based on soil type and seasonal rainfall patterns. For best results, use slope interruption devices in conjunction with rolled erosion control products.



American Excelsior Company®
Earth Science Division

AMERICAN EXCELSIOR COMPANY
ARLINGTON, TEXAS

SHEET DESCRIPTION
AEC PREMIER STRAW® WATTLE
SLOPE INTERRUPTION DEVICE

DATE 3/27/17
SCALE NONE

DRAWN BY
PROJECT NO.
SHEET NO. 19