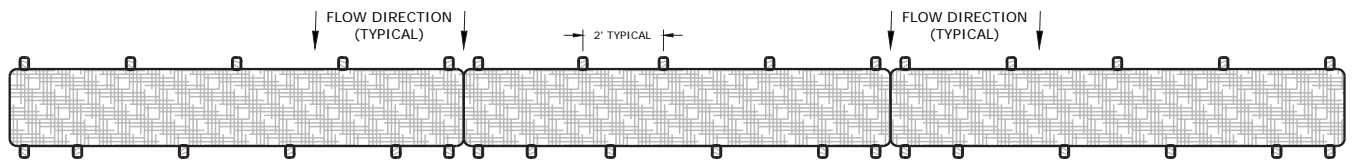
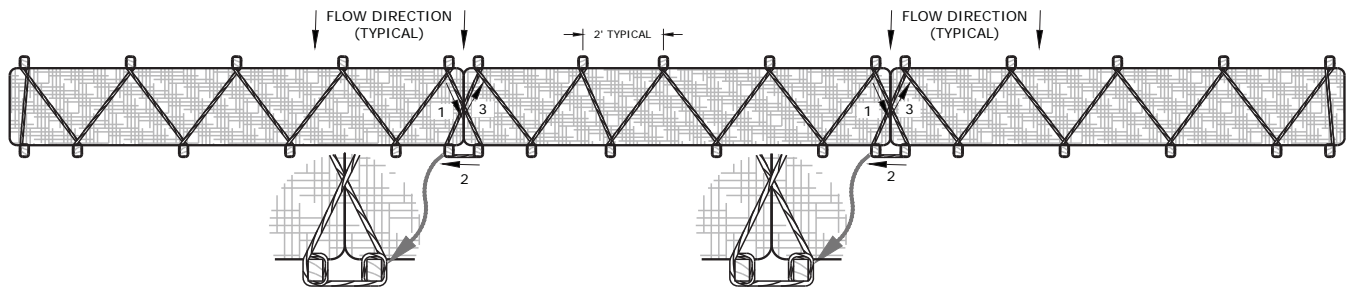


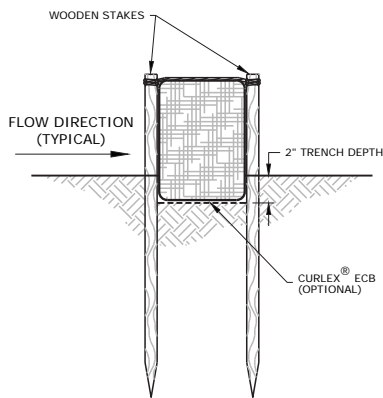
CURLEX® BLOC SAND BAG DETAIL 1  
NO SCALE 31



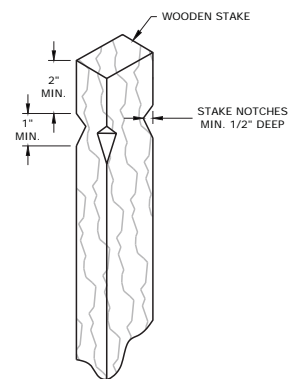
CURLEX® BLOC STAKING DETAIL 2  
NO SCALE 31



CURLEX® BLOC STAKING AND ROPING DETAIL 3  
NO SCALE 31



CURLEX® BLOC TRENCH OPTION (FLAT GROUND) 4  
NO SCALE 31



STAKE NOTCHING DETAIL 5  
NO SCALE 31

**INSTALLATION NOTES:**

- 1) NON-STRETCHING ROPE WHEN WET.
- 2) 1 1/2" x 1 1/2" x 48" WOODEN STAKES ARE RECOMMENDED.
- 3) POUND STAKES TIGHTLY NEXT TO CURLEX® BLOC LEAVING APPROXIMATELY 4" OF STAKE ABOVE SURFACE OF CURLEX® BLOC.
- 4) INSTALL ROPE ACCORDING TO DRAWING (ENSURE ROPE IS WRAPPED TIGHTLY IN STAKE NOTCHES).
- 5) KNOT OFF ROPE TO STAKE AT LEAST EVERY 25 FEET OF ROPE.
- 6) POUND DOWN STAKES FLUSH WITH SURFACE OF CURLEX® BLOC AFTER ALL IS INSTALLED TO TIGHTEN ROPES.
- 7) ABUT ADJOINING CURLEX® BLOCS TIGHTLY AND SECURE WITH STAKES AND ROPE ACCORDING TO DRAWING.
- 8) 8' LONG CURLEX® BLOC SHOWN. ADJUST STAKING AND ROPING PATTERN ACCORDINGLY IF USING 4' LONG CURLEX® BLOCS.

**NOTE:**

- 1) TRENCHING OF CURLEX® BLOC IS OPTIONAL FOR INLET OR OUTLET PROTECTION, PERIMETER CONTROL, RUNOFF DIVERSION AND FILTERING APPLICATIONS.
- 2) INSTALL ON BARE SOIL & ECB
- 3) USE ON HARD SURFACE (CONCRETE, FROZEN GROUND, ETC.)
- 4) SAND BAG SIZE 14" x 24", 60lb. MIN.



AMERICAN EXCELSIOR COMPANY  
ARLINGTON, TEXAS

SHEET DESCRIPTION  
CURLEX® BLOC  
ANCHORING TECHNIQUES DETAIL

DATE 3/27/17  
SCALE NONE

DRAWN BY  
PROJECT NO.  
SHEET NO. 31