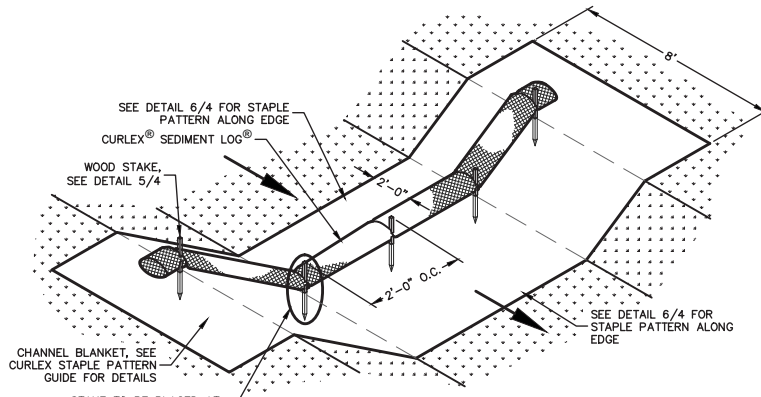
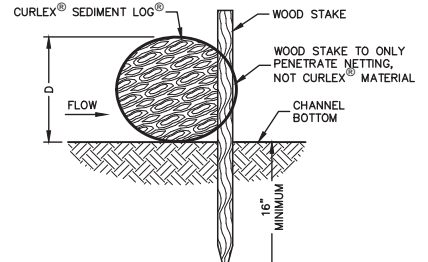


CURLEX[®] SEDIMENT LOG[®] DETAIL (NO BLANKET)
NO SCALE

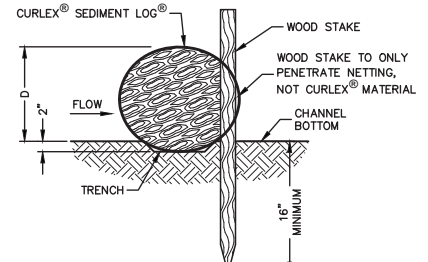


CURLEX[®] SEDIMENT LOG[®] DETAIL (WITH BLANKET)
NO SCALE

- NOTES:
- 1) CURLEX[®] SEDIMENT LOG[®] SHALL BE OVERLAPPED IN CHANNELS REQUIRING MORE THAN ONE UNIT ACROSS THE CHANNEL WIDTH (SEE DETAIL 7/4).
 - 2) OVERLAPS SHALL NOT BE LOCATED IN CRITICAL AREAS SUCH AS CHANNEL CENTER, SIDE SLOPE CHANNEL BOTTOM INTERFACE, ETC.

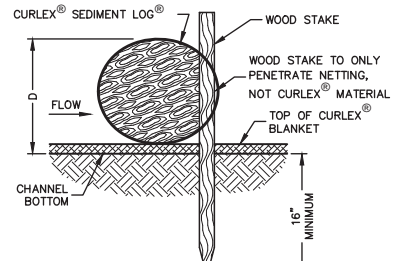


STAKE DETAIL (BARE SOIL) (NO TRENCH)
NO SCALE



STAKE DETAIL (BARE SOIL) (WITH TRENCH)
NO SCALE

NOTE: TRENCH OPTION IS MOST APPLICABLE IN LOOSE, UNCONSOLIDATED SOILS

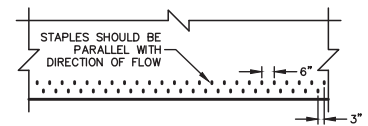


STAKE DETAIL (WITH BLANKET) (NO TRENCH)
NO SCALE

Curlex[®] Sediment Log[®] - Recommended Spacing in Channelized Flow Applications

| Channel Gradient (%) | Spacing Between Products (ft) | | | |
|----------------------|-------------------------------|--------------------------|---------------------------|---------------------------|
| | 6 in Curlex Sediment Log | 9 in Curlex Sediment Log | 12 in Curlex Sediment Log | 20 in Curlex Sediment Log |
| 0.5 | 91.7 | 136.7 | 183.3 | 250.0 |
| 1 | 45.8 | 68.3 | 91.7 | 125.0 |
| 1.5 | 30.6 | 45.6 | 61.1 | 83.3 |
| 2 | 22.9 | 34.2 | 45.8 | 62.5 |
| 2.5 | 18.3 | 27.3 | 36.7 | 50.0 |
| 3 | 15.3 | 22.8 | 30.6 | 41.7 |
| 3.5 | 13.1 | 19.5 | 26.2 | 35.7 |
| 4 | 11.5 | 17.1 | 22.9 | 31.3 |
| 4.5 | 10.2 | 15.2 | 20.4 | 27.8 |
| 5 | 9.2 | 13.7 | 18.3 | 25.0 |
| 5.5 | 8.3 | 12.4 | 16.7 | 22.7 |
| 6 | 7.6 | 11.4 | 15.3 | 20.8 |
| 6.5 | 7.1 | 10.5 | 14.1 | 19.2 |
| 7 | 6.5 | 9.8 | 13.1 | 17.9 |
| 7.5 | 6.1 | 9.1 | 12.2 | 16.7 |
| 8 | 5.7 | 8.5 | 11.5 | 15.6 |
| 8.5 | 5.4 | 8.0 | 10.8 | 14.7 |
| 9 | 5.1 | 7.6 | 10.2 | 13.9 |
| 9.5 | 4.8 | 7.2 | 9.3 | 13.2 |
| 10 | 4.6 | 6.8 | 9.2 | 12.5 |
| 11 | 4.2 | 6.2 | 8.3 | 11.4 |
| 12 | 3.8 | 5.7 | 7.5 | 10.4 |
| 13 | 3.5 | 5.3 | 7.1 | 9.6 |
| 14 | 3.3 | 4.9 | 6.5 | 8.9 |
| 15 | 3.1 | 4.6 | 6.1 | 8.3 |
| 16 | 2.9 | 4.3 | 5.7 | 7.8 |
| 17 | 2.7 | 4.0 | 5.4 | 7.4 |
| 18 | 2.5 | 3.8 | 5.1 | 6.9 |
| 19 | 2.4 | 3.6 | 4.8 | 6.6 |
| 20 | 2.3 | 3.4 | 4.5 | 6.3 |
| 25 | 1.8 | 2.7 | 3.7 | 5.0 |
| 30 | 1.5 | 2.3 | 3.1 | 4.2 |
| 35 | 1.3 | 2.0 | 2.5 | 3.6 |
| 40 | 1.1 | 1.7 | 2.3 | 3.1 |
| 45 | 1.0 | 1.5 | 2.0 | 2.8 |
| 50 | 0.9 | 1.4 | 1.8 | 2.5 |

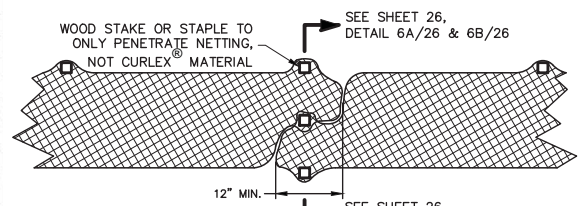
Notes:
1. Minimum installed heights used for determining spacing values in table. Minimum installed heights of 6 in, 1 in, 12 in, and 20 in Curlex Sediment Logs are 5.5 in, 8.2 in, 11.0 in, and 15.0 in, respectively.



CHANNEL TERMINATION PLAN
NO SCALE

$$\left[\frac{\text{DISTANCE BETWEEN CHANNEL BOTTOM AND TOP OF INSTALLED CURLEX SEDIMENT LOG (D)(ft)}}{\text{CHANNEL GRADIENT (\%)}} \right] \times 100 = \text{CURLEX SEDIMENT LOG SPACING (ft)}$$

RECOMMENDED PLACEMENT INTERVAL BETWEEN CURLEX[®] SEDIMENT LOG[®]



ANCHOR DETAIL (PLAN VIEW) OPTIONAL OVERLAPPING JOINT
NO SCALE

