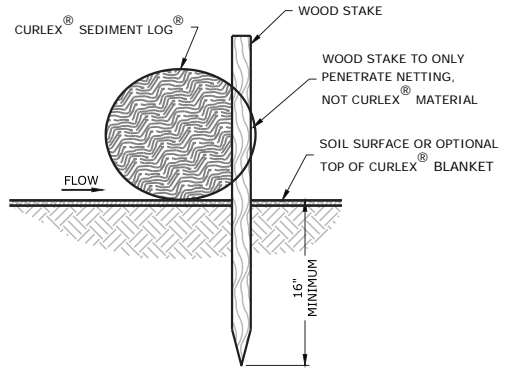
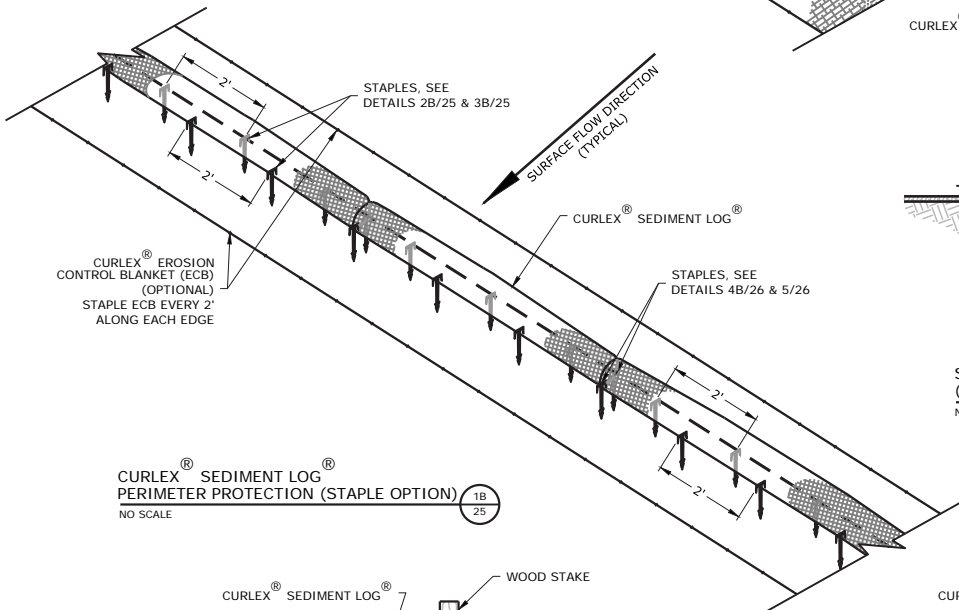


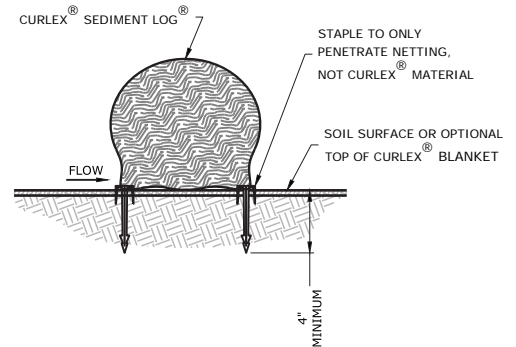
CURLEX[®] SEDIMENT LOG[®] PERIMETER PROTECTION (STAKE OPTION) 1A
NO SCALE 25



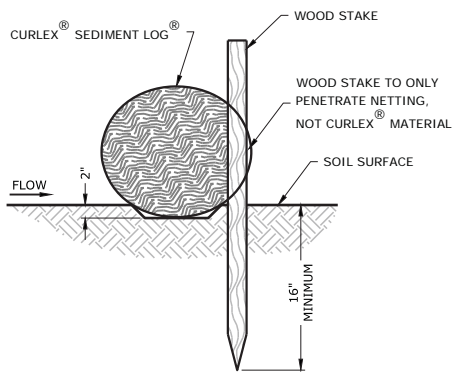
STAKE DETAIL (WITH BLANKET) (NO TRENCH) 2A
NO SCALE 25



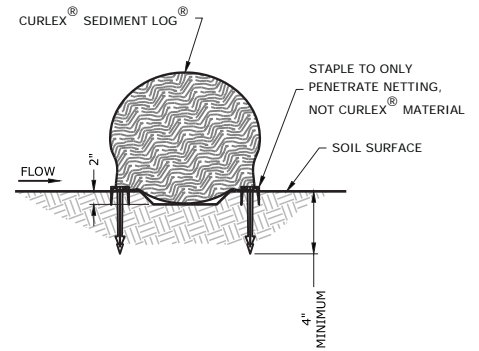
CURLEX[®] SEDIMENT LOG[®] PERIMETER PROTECTION (STAPLE OPTION) 1B
NO SCALE 25



STAPLE DETAIL (WITH BLANKET) (NO TRENCH) 2B
NO SCALE 25



STAKE DETAIL OPTIONAL TRENCH 3A
NO SCALE 25



STAPLE DETAIL OPTIONAL TRENCH 3B
NO SCALE 25

NOTES:

1. RECOMMENDED STAPLES ARE E-STAPLE[®], 1 IN X 6 IN, U-SHAPED, 11 GAUGE WIRE, OR 2 IN X 8 IN, U-SHAPED, 8 GAUGE WIRE.
2. STAPLES SHALL BE INSTALLED 24 IN APART ON EACH SIDE OF THE CURLEX[®] SEDIMENT LOG[®]. THE TWO ROWS OF STAPLES SHALL BE STAGGERED BY 12 IN ALONG THE LENGTH OF THE CURLEX[®] SEDIMENT LOG[®]. INSTALLATION OF ONE CURLEX[®] SEDIMENT LOG[®] SHALL INCLUDE ONE STAPLE ON EACH END OF THE PRODUCT. ALL STAPLES SHALL BE FULLY INSERTED INTO THE SUBGRADE BELOW THE CURLEX[®] SEDIMENT LOG[®].
3. ADJOIN TWO CURLEX[®] SEDIMENT LOGS BY PLACING STAPLES THROUGH THE NETTING OF BOTH LOGS ON BOTH SIDES OF THE PRODUCTS.
4. ANCHORING WITH STAPLES IS ONLY APPLICABLE FOR 6 IN AND 9 IN CURLEX[®] SEDIMENT LOGS AND SHALL NOT BE USED IN CHANNELIZED FLOW APPLICATIONS.
5. STAKES MAY BE USED IN CONJUNCTION WITH STAPLES FOR ADDITIONAL ANCHORING OF 6 IN AND 9 IN CURLEX[®] SEDIMENT LOGS, AS DEEMED NECESSARY BY THE ENGINEER.
6. RECOMMENDED WOODEN STAKES ARE 1 1/8" x 1 1/8" x 30' FOR 6', 9', AND 12" SEDIMENT LOGS.
7. RECOMMENDED WOODEN STAKES ARE 1 1/8" x 1 1/8" x 48' FOR 20" SEDIMENT LOGS.
8. CURLEX[®] SEDIMENT LOG[®] PERIMETER CONTROL DETAILS CONTINUE ON SHEET 26.



AMERICAN EXCELSIOR COMPANY
ARLINGTON, TEXAS

SHEET DESCRIPTION
CURLEX[®] SEDIMENT LOG[®]
PERIMETER CONTROL DETAILS

DATE 5/15/17
SCALE NONE

DRAWN BY
PROJECT NO.
SHEET NO. 25