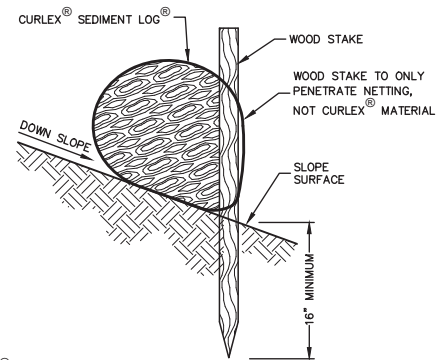
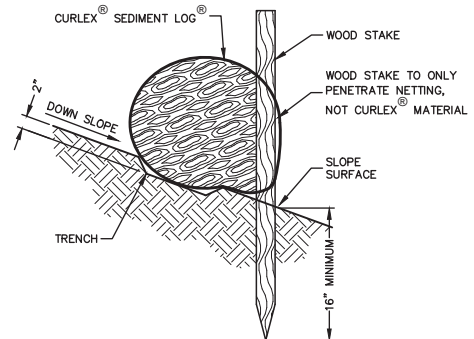


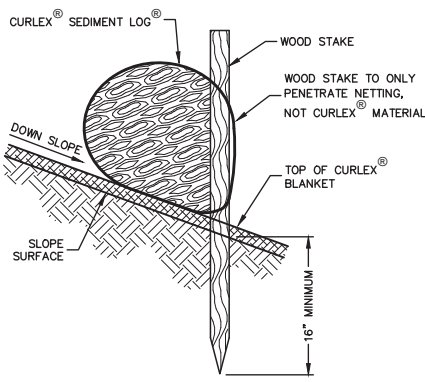
**SLOPE DETAIL**  
NO SCALE (1/18)



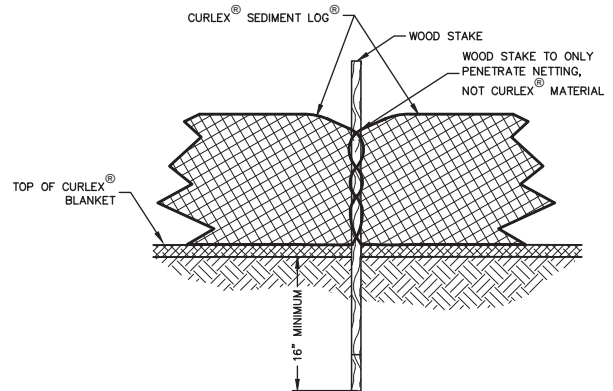
**STAKE DETAILS (ON BARE SOIL)**  
NO SCALE (3/18)



**(OPTIONAL) TRENCH ON BARE SOIL**  
NO SCALE (4/18)



**STAKE DETAILS (ON TOP OF CURLEX® ECB)**  
NO SCALE (2/18)



**STAKE DETAIL (FRONT VIEW)**  
NO SCALE (5/18)

- NOTES:
1. TRENCH OPTION IS MOST APPLICABLE IN LOOSE, UNCONSOLIDATED SOILS.
  2. RECOMMENDED WOODEN STAKES ARE 1 1/8" x 1 1/8" x 30' FOR 6", 9", AND 12" SEDIMENT LOGS.
  3. RECOMMENDED WOODEN STAKES ARE 1 1/8" x 1 1/8" x 48" FOR 20" SEDIMENT LOGS.

American Excelsior Company Recommended Curlex® Sediment Log® Maximum Spacing on Slopes\*

		Product Name			
		6 in Curlex Sediment Log ft (m)	9 in Curlex Sediment Log ft (m)	12 in Curlex Sediment Log ft (m)	20 in Curlex Sediment Log ft (m)
Slope Gradient	≤4H:1V	20 (6.1)	40 (12.2)	60 (18.3)	80 (24.4)
	3H:1V	15 (4.6)	30 (9.1)	45 (13.7)	60 (18.3)
	2H:1V	10 (3.0)	20 (6.1)	30 (9.1)	40 (12.2)
	1H:1V	5 (1.5)	10 (3.0)	15 (4.6)	20 (6.1)

\*Tighter spacing may be required based on soil type and seasonal rainfall patterns. For best results, use slope interruption devices in conjunction with rolled erosion control products.

