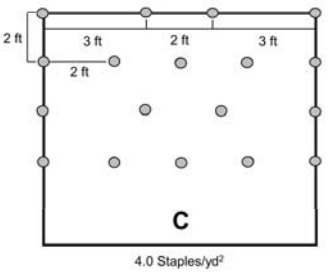
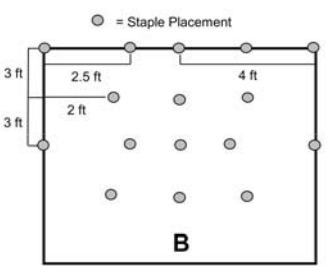


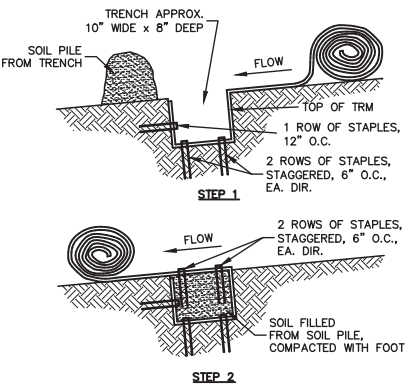
Recyclex® TRM Staple Pattern Guide

Application	Channel	
	≤ 2.3 lb/ft ² (110 Pa) Shear Stress ≤ 10.0 ft/sec (3.0 m/sec) Velocity	≤ 10.0+ lb/ft ² (480+ Pa) Shear Stress ≤ 17.0+ ft/sec (5.2+ m/sec) Velocity
Staple Pattern	B	C

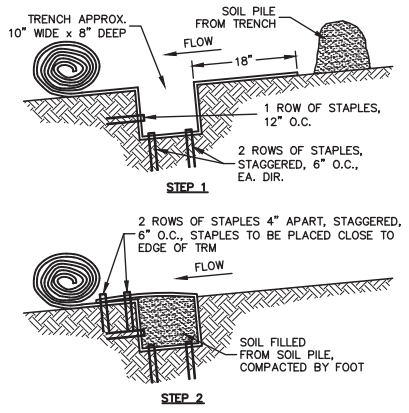


- Notes:**
1. For cohesive soil use a 6 in wire staple and for non-cohesive soil use an 8 in wire staple.
 2. For best results insert staples so heads are parallel to the flow of water.
 3. Adjust staple pattern so staples are placed in critical channel points (e.g. slope interface, channel bottom) as illustrated below:

Critical channel points are circled.



CHANNEL TRENCHING METHOD "A"
NO SCALE



CHANNEL TRENCHING METHOD "B"
NO SCALE

