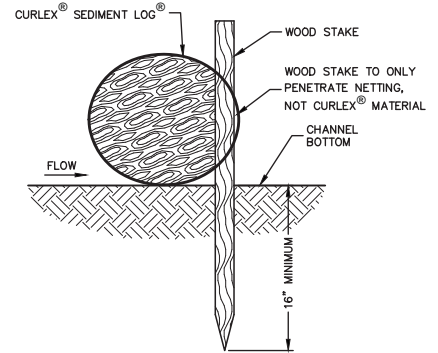
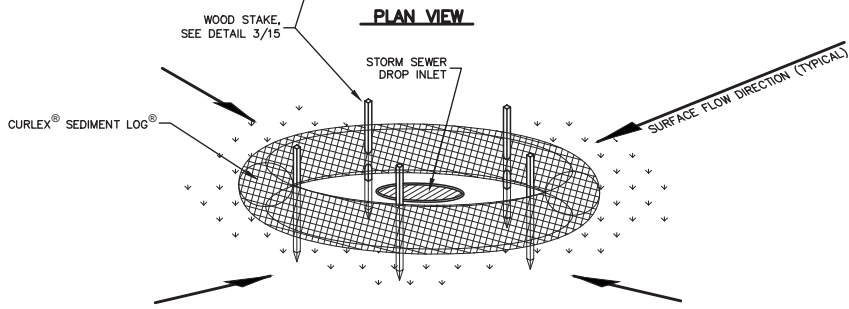
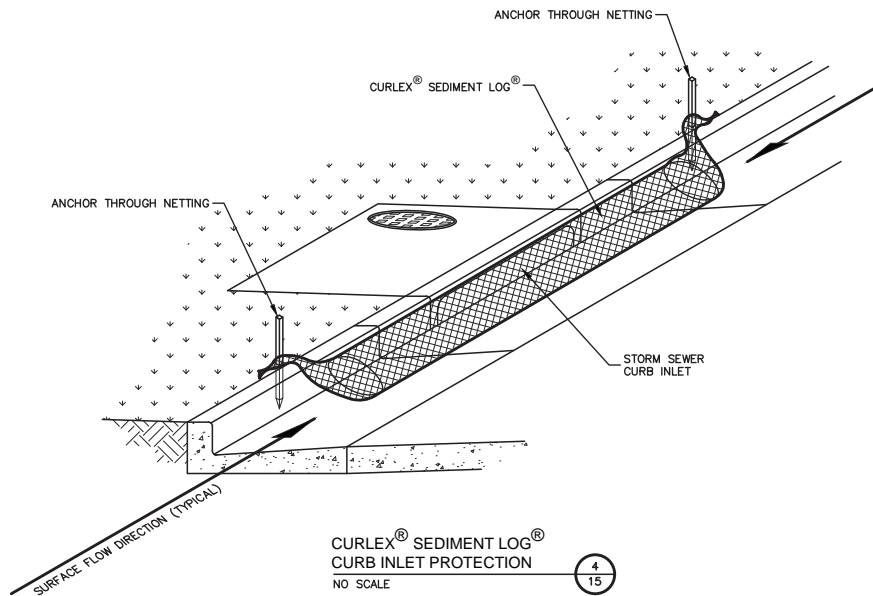


STAKE DETAIL
NO SCALE 2 / 15



STAKE DETAIL
NO SCALE 3 / 15

CURLEX SEDIMENT LOG DROP INLET PROTECTION
NO SCALE 1 / 15



CURLEX SEDIMENT LOG CURB INLET PROTECTION
NO SCALE 4 / 15



AMERICAN EXCELSIOR COMPANY
ARLINGTON, TEXAS

SHEET DESCRIPTION
CURLEX SEDIMENT LOG
INLET PROTECTION DETAILS

DATE 3/27/17
SCALE NONE

DRAWN BY
PROJECT NO.
SHEET NO. 15