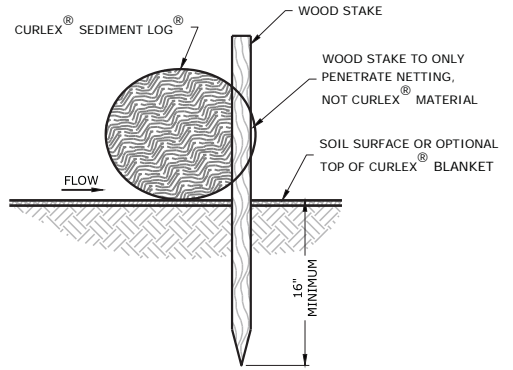
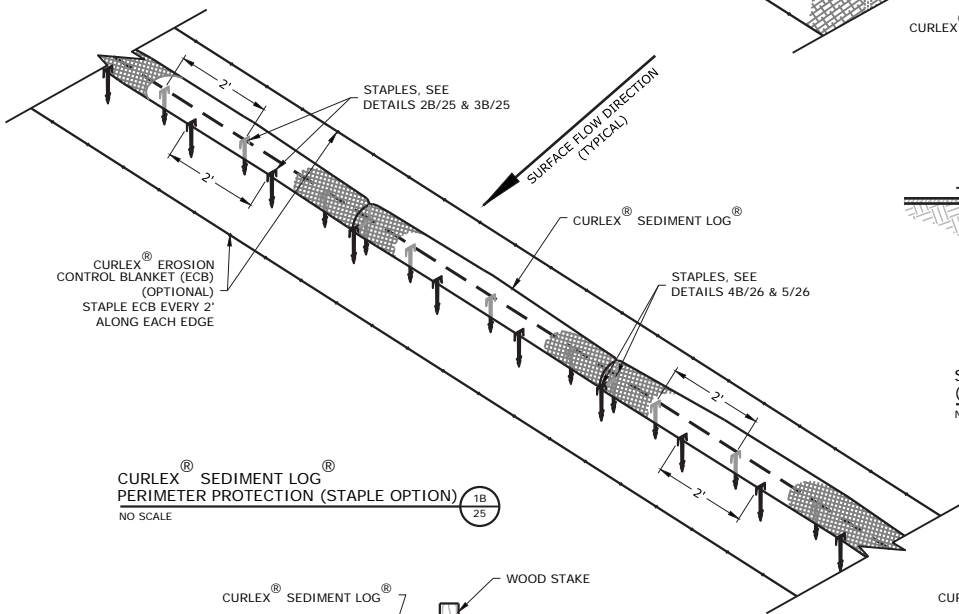


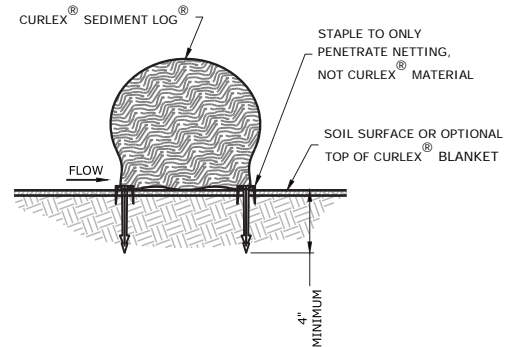
**CURLEX<sup>®</sup> SEDIMENT LOG<sup>®</sup> PERIMETER PROTECTION (STAKE OPTION)** 1A  
NO SCALE 25



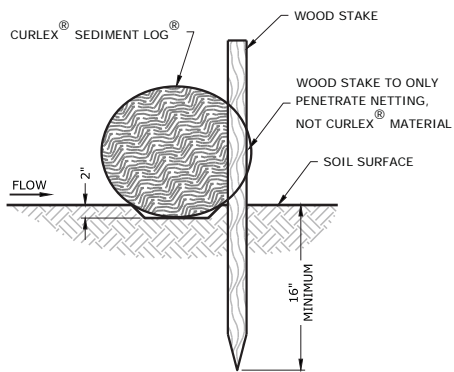
**STAKE DETAIL (WITH BLANKET) (NO TRENCH)** 2A  
NO SCALE 25



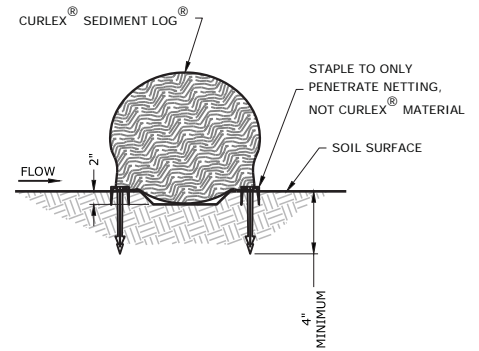
**CURLEX<sup>®</sup> SEDIMENT LOG<sup>®</sup> PERIMETER PROTECTION (STAPLE OPTION)** 1B  
NO SCALE 25



**STAPLE DETAIL (WITH BLANKET) (NO TRENCH)** 2B  
NO SCALE 25



**STAKE DETAIL OPTIONAL TRENCH** 3A  
NO SCALE 25



**STAPLE DETAIL OPTIONAL TRENCH** 3B  
NO SCALE 25

**NOTES:**

1. RECOMMENDED STAPLES ARE E-STAPLE<sup>®</sup>, 1 IN X 6 IN, U-SHAPED, 11 GAUGE WIRE, OR 2 IN X 8 IN, U-SHAPED, 8 GAUGE WIRE.
2. STAPLES SHALL BE INSTALLED 24 IN APART ON EACH SIDE OF THE CURLEX<sup>®</sup> SEDIMENT LOG<sup>®</sup>. THE TWO ROWS OF STAPLES SHALL BE STAGGERED BY 12 IN ALONG THE LENGTH OF THE CURLEX<sup>®</sup> SEDIMENT LOG<sup>®</sup>. INSTALLATION OF ONE CURLEX<sup>®</sup> SEDIMENT LOG<sup>®</sup> SHALL INCLUDE ONE STAPLE ON EACH END OF THE PRODUCT. ALL STAPLES SHALL BE FULLY INSERTED INTO THE SUBGRADE BELOW THE CURLEX<sup>®</sup> SEDIMENT LOG<sup>®</sup>.
3. ADJOIN TWO CURLEX<sup>®</sup> SEDIMENT LOGS BY PLACING STAPLES THROUGH THE NETTING OF BOTH LOGS ON BOTH SIDES OF THE PRODUCTS.
4. ANCHORING WITH STAPLES IS ONLY APPLICABLE FOR 6 IN AND 9 IN CURLEX<sup>®</sup> SEDIMENT LOGS AND SHALL NOT BE USED IN CHANNELIZED FLOW APPLICATIONS.
5. STAKES MAY BE USED IN CONJUNCTION WITH STAPLES FOR ADDITIONAL ANCHORING OF 6 IN AND 9 IN CURLEX<sup>®</sup> SEDIMENT LOGS, AS DEEMED NECESSARY BY THE ENGINEER.
6. RECOMMENDED WOODEN STAKES ARE 1 1/8" x 1 1/8" x 30' FOR 6', 9', AND 12" SEDIMENT LOGS.
7. RECOMMENDED WOODEN STAKES ARE 1 1/8" x 1 1/8" x 48' FOR 20" SEDIMENT LOGS.
8. CURLEX<sup>®</sup> SEDIMENT LOG<sup>®</sup> PERIMETER CONTROL DETAILS CONTINUE ON SHEET 26.



**AMERICAN EXCELSIOR COMPANY**  
ARLINGTON, TEXAS

SHEET DESCRIPTION  
**CURLEX<sup>®</sup> SEDIMENT LOG<sup>®</sup>**  
PERIMETER CONTROL DETAILS

DATE 5/15/17  
SCALE NONE

DRAWN BY  
PROJECT NO.  
SHEET NO. 25