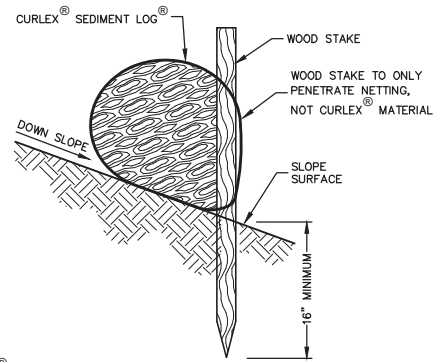
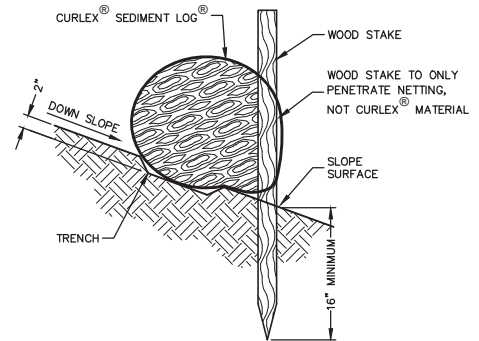


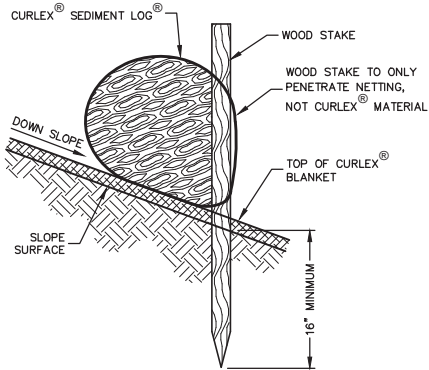
SLOPE DETAIL
NO SCALE



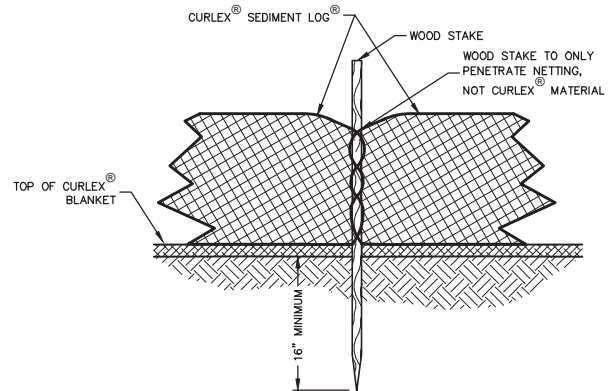
STAKE DETAILS (ON BARE SOIL)
NO SCALE



(OPTIONAL TRENCH ON BARE SOIL)
NO SCALE



STAKE DETAILS (ON TOP OF CURLEX® ECB)
NO SCALE



STAKE DETAIL (FRONT VIEW)
NO SCALE

- NOTES:
1. TRENCH OPTION IS MOST APPLICABLE IN LOOSE, UNCONSOLIDATED SOILS.
 2. RECOMMENDED WOODEN STAKES ARE 1 1/8" x 1 1/8" x 30' FOR 6', 9', AND 12" SEDIMENT LOGS.
 3. RECOMMENDED WOODEN STAKES ARE 1 1/8" x 1 1/8" x 48" FOR 20" SEDIMENT LOGS.

American Excelsior Company Recommended Curlex® Sediment Log® Maximum Spacing on Slopes^a

		Product Name			
		6 in Curlex Sediment Log ft (m)	9 in Curlex Sediment Log ft (m)	12 in Curlex Sediment Log ft (m)	20 in Curlex Sediment Log ft (m)
Slope Gradient	≤ 4H:1V	20 (6.1)	40 (12.2)	60 (18.3)	80 (24.4)
	3H:1V	15 (4.6)	30 (9.1)	45 (13.7)	60 (18.3)
	2H:1V	10 (3.0)	20 (6.1)	30 (9.1)	40 (12.2)
	1H:1V	5 (1.5)	10 (3.0)	15 (4.6)	20 (6.1)

^aTighter spacing may be required based on soil type and seasonal rainfall patterns. For best results, use slope interruption devices in conjunction with rolled erosion control products.

