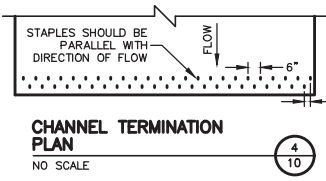
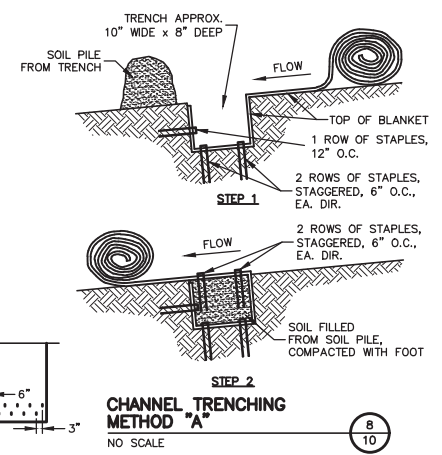
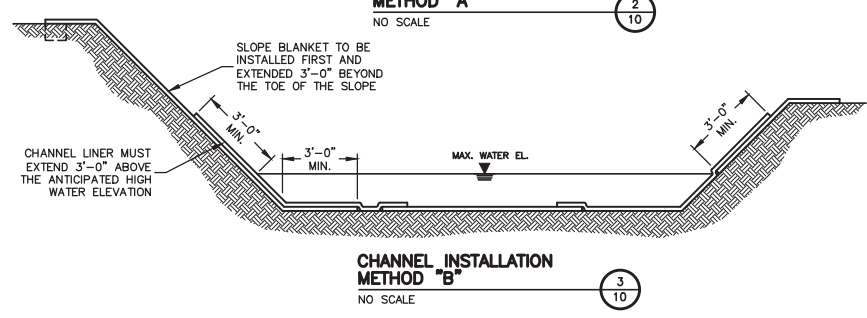
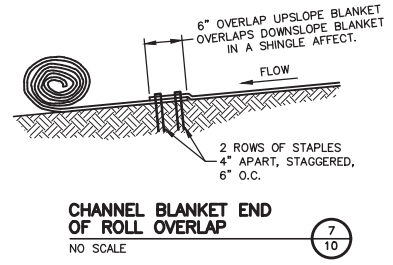
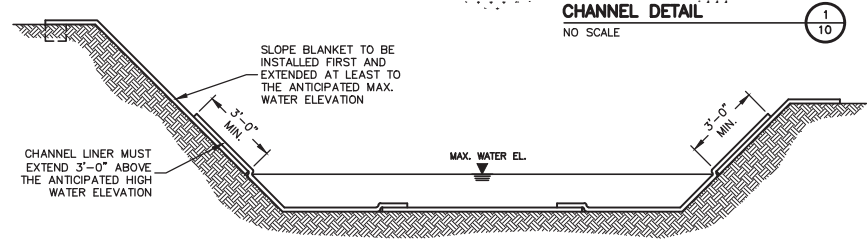


NOTES:
 1. SEE TriNet™ STRAW/COCONUT SLOPE APPLICATION DETAIL SHEET FOR PROPER SLOPE INSTALLATION.

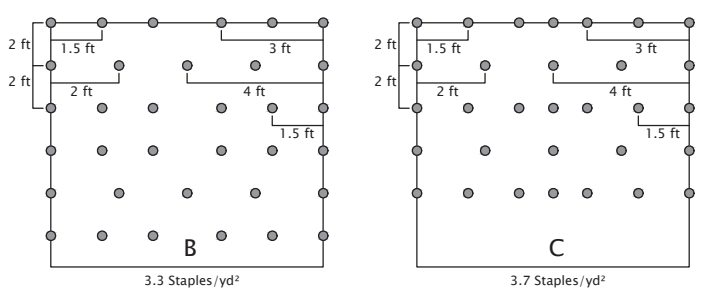


TriNet™ Straw/Coconut Turf Reinforcement Mat (TRM) Staple Pattern Guide

For 8 ft wide TriNet TRM
 Adjust horizontal staple spacing for 16ft wide TRM

Application	Channel	
	≤ 3.0 lb/ft ² (144 Pa) Shear Stress ≤ 12.0 ft/sec (3.66 m/sec) Velocity	≤ 10 lb/ft ² (479 Pa) Shear Stress ≤ 15.0 ft/sec (4.57 m/sec) Velocity
Staple Pattern	B	C

● = Staple Placement



- Notes:**
- For cohesive soil use a 6 in wire staple and for non-cohesive soil use an 8 in wire staple.
 - For best results insert staples so heads are parallel to the flow of water.
 - Adjust staple pattern so staples are placed in critical channel points (e.g. slope interface, channel bottom) as illustrated below.

