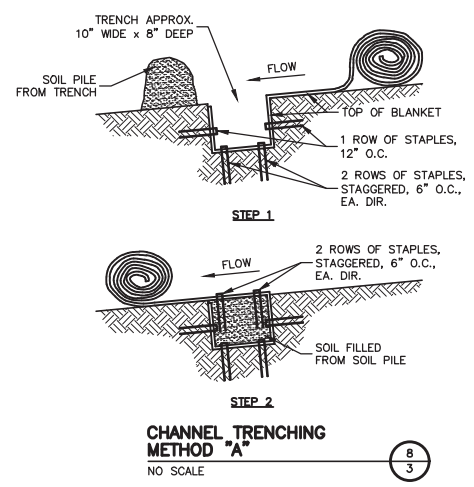
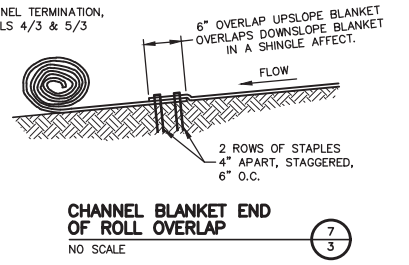
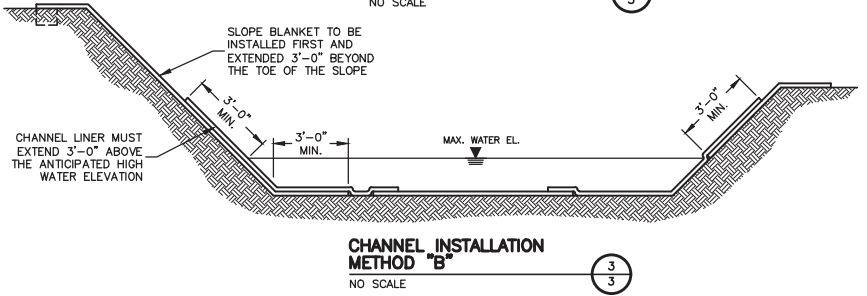
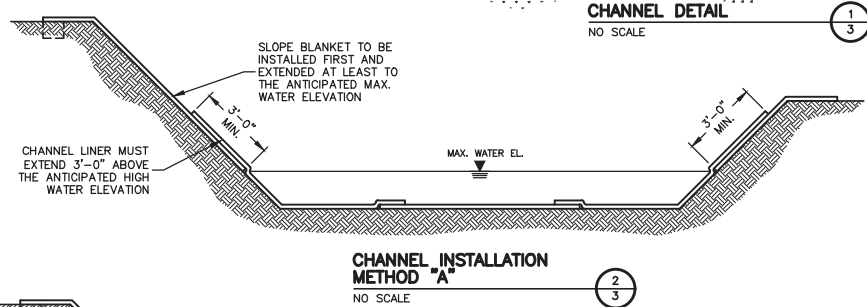


NOTES:

1. SEE TriNet® CURLEX® SLOPE APPLICATION DETAIL SHEET FOR PROPER SLOPE INSTALLATION.

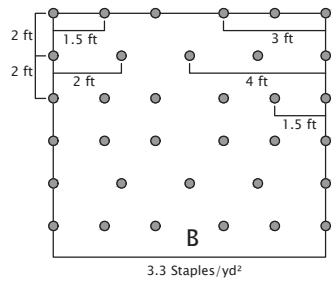


TriNet® Curlex® Turf Reinforcement Mat (TRM) Staple Pattern Guide

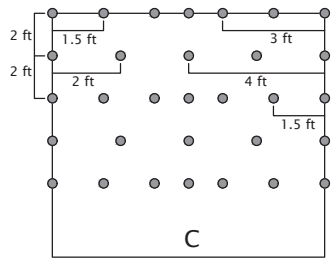
For 8 ft wide TriNet TRM
Adjust horizontal staple spacing for 16ft wide TRM

Application	Channel	
	≤ 3.0 lb/ft ² (144 Pa) Shear Stress ≤ 12.0 ft/sec (3.66 m/sec) Velocity	≤ 13 lb/ft ² (622 Pa) Shear Stress ≤ 20.0 ft/sec (6.1 m/sec) Velocity
Staple Pattern	B	C

● = Staple Placement



3.3 Staples/yd²



3.7 Staples/yd²

Notes:

1. For cohesive soil use a 6 in wire staple and for non-cohesive soil use an 8 in wire staple.
2. For best results insert staples so heads are parallel to the flow of water.
3. Adjust staple pattern so staples are placed in critical channel points (e.g. slope interface, channel bottom) as illustrated below:

