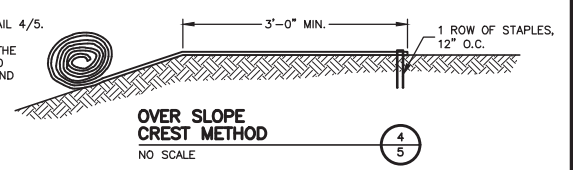
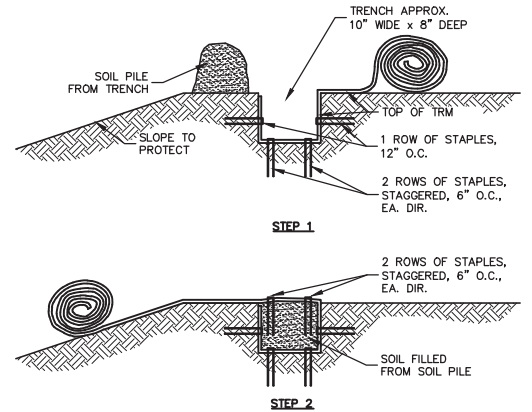


SLOPE DETAIL
NO SCALE

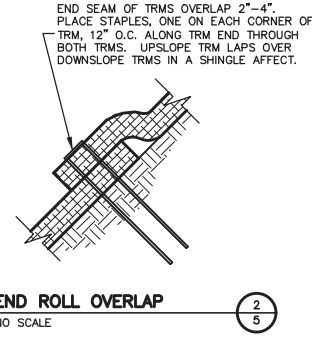


OVER SLOPE CREST METHOD
NO SCALE

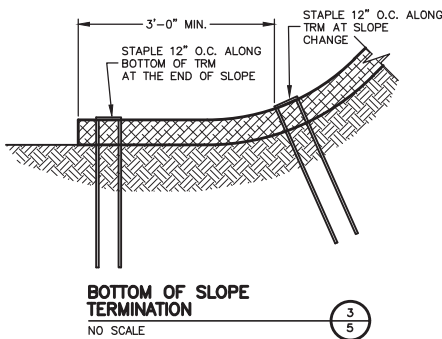
DO NOT NEED TO TRENCH TRM IN IF IT CAN BE EXTENDED A MINIMUM OF 3'-0" OVER THE CREST OF THE SLOPE.



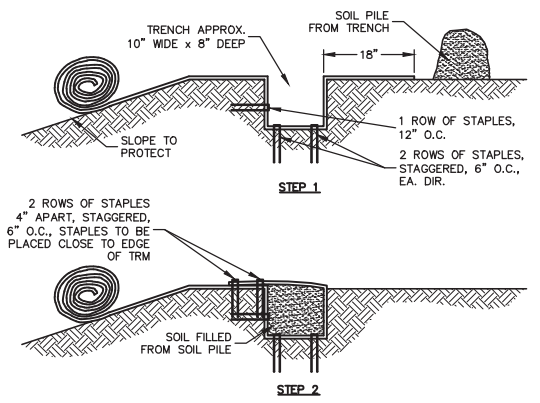
SLOPE TRENCHING METHOD "A"
NO SCALE



END ROLL OVERLAP
NO SCALE



BOTTOM OF SLOPE TERMINATION
NO SCALE



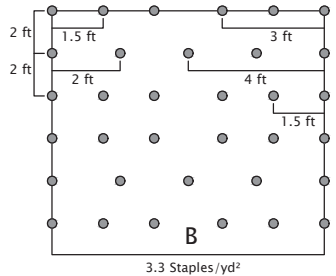
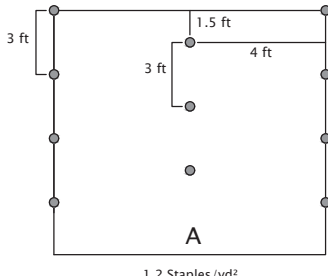
SLOPE TRENCHING METHOD "B"
NO SCALE

TriNet® Recyclex® Turf Reinforcement Mat (TRM) Staple Pattern Guide

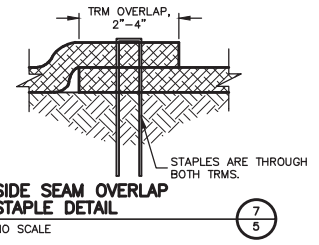
For 8 ft wide TriNet TRM
Adjust horizontal staple spacing for 16ft wide TRM

Application	Slope	
	≤ 3H:1V	≤ .5H:1V
Staple Pattern	A	B

● = Staple Placement



- Notes:
- For cohesive soil use a 6 in wire staple and for non-cohesive soil use an 8 in wire staple.
 - For best results insert staples so heads are parallel to the flow of water.



SIDE SEAM OVERLAP STAPLE DETAIL
NO SCALE

