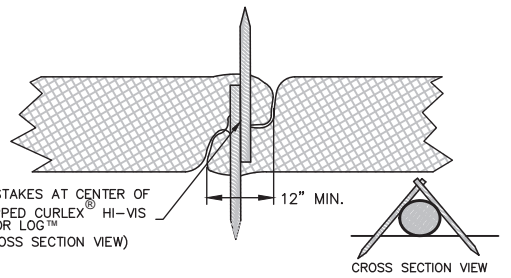
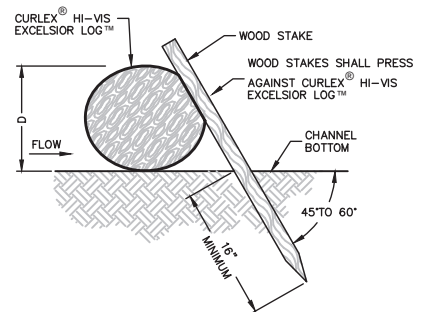


CURLEX<sup>®</sup> HI-VIS EXCELSIOR LOG<sup>™</sup>  
DROP INLET PROTECTION  
NO SCALE 1  
45

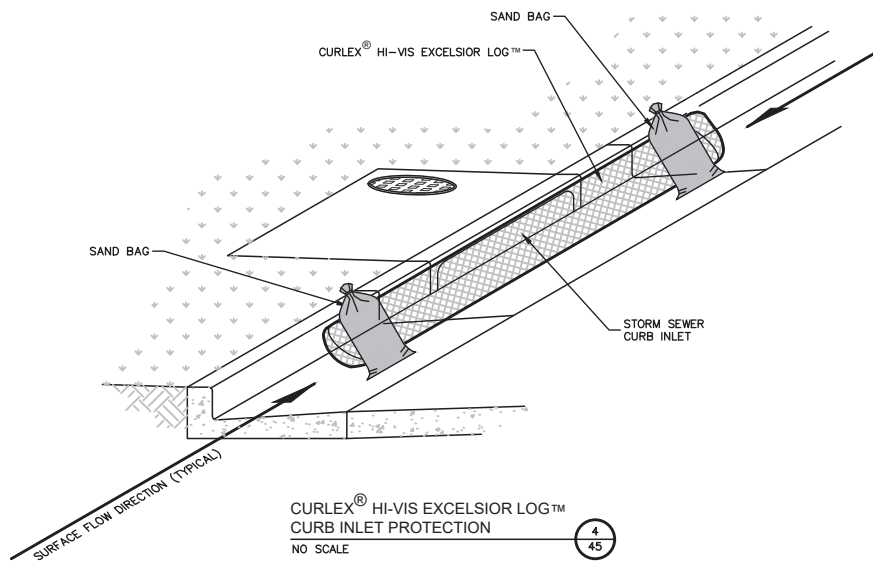


ANCHOR DETAIL (PLAN VIEW)  
OVERLAPPING JOINT  
NO SCALE 2  
45



STAKE DETAIL  
NO SCALE 3  
45

NOTES:  
1. RECOMMENDED WOODEN STAKES ARE 1 1/8" X 1 1/8" X 30" FOR 9" CURLEX<sup>®</sup> HI-VIS EXCELSIOR LOG<sup>™</sup>.



CURLEX<sup>®</sup> HI-VIS EXCELSIOR LOG<sup>™</sup>  
CURB INLET PROTECTION  
NO SCALE 4  
45

**American  
Excelsior  
Company<sup>®</sup>**  
Earth Science Division

AMERICAN EXCELSIOR COMPANY  
ARLINGTON, TEXAS

SHEET DESCRIPTION  
CURLEX<sup>®</sup> HI-VIS EXCELSIOR LOG<sup>™</sup>  
INLET PROTECTION DETAIL

DATE 12/03/21  
SCALE NONE

DRAWN BY  
PROJECT NO.  
SHEET NO. 45