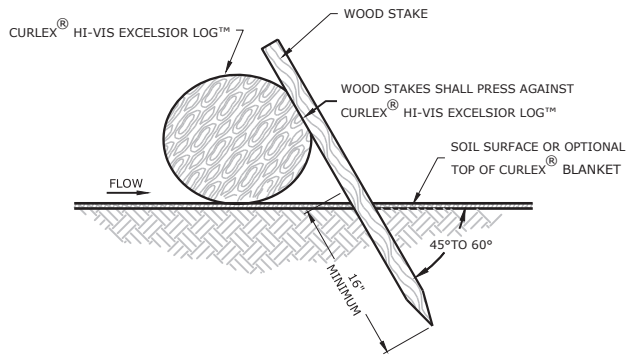
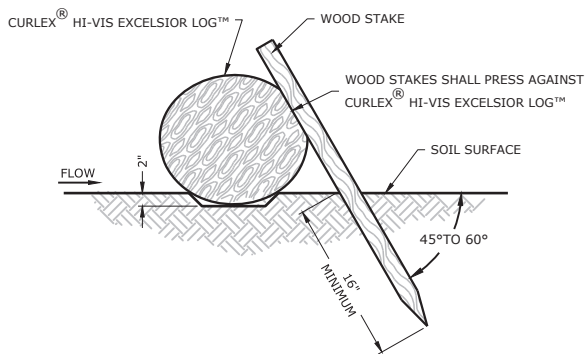


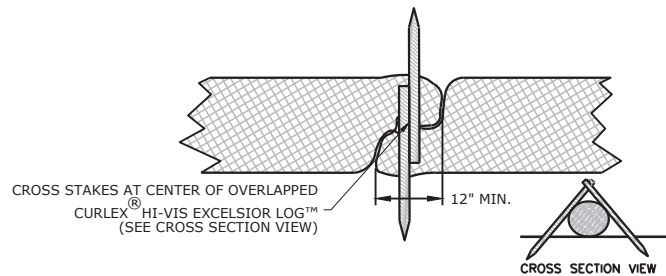
CURLEX<sup>®</sup> HI-VIS EXCELSIOR LOG<sup>™</sup>  
PERIMETER PROTECTION  
NO SCALE 1  
40



STAKE DETAIL  
(WITH BLANKET) (NO TRENCH)  
NO SCALE 2  
40



STAKE DETAIL  
OPTIONAL TRENCH  
NO SCALE 3  
40



ANCHOR DETAIL (PLAN VIEW)  
OVERLAPPING JOINT  
NO SCALE 4  
40

NOTES:  
1. RECOMMENDED WOODEN STAKES ARE 1 1/8" x 1 1/8" x 30" FOR 9" CURLEX<sup>®</sup> HI-VIS EXCELSIOR LOGS<sup>™</sup>.



AMERICAN EXCELSIOR COMPANY  
ARLINGTON, TEXAS

SHEET DESCRIPTION  
CURLEX<sup>®</sup> HI-VIS EXCELSIOR LOG<sup>™</sup>  
SINGLE PERIMETER CONTROL DETAIL

DATE 09/14/21  
SCALE NONE

DRAWN BY  
PROJECT NO.  
SHEET NO. 40