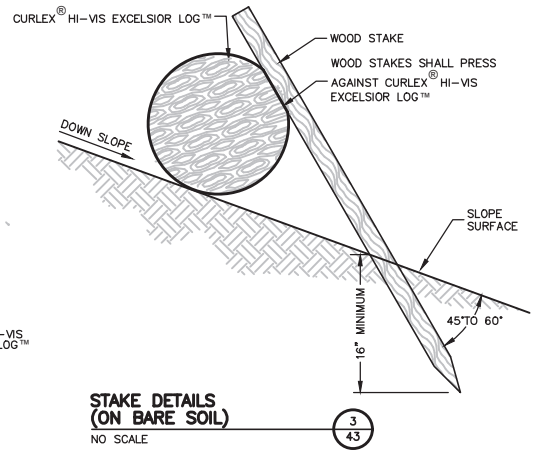
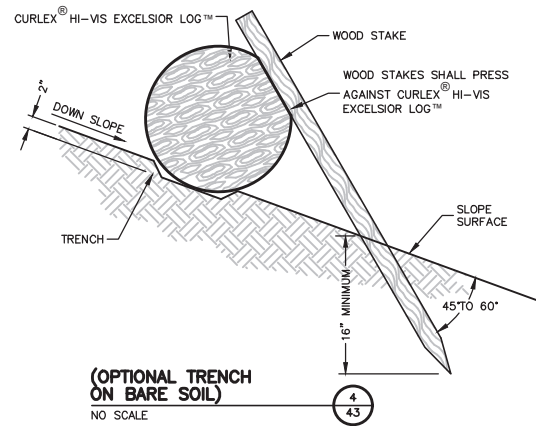


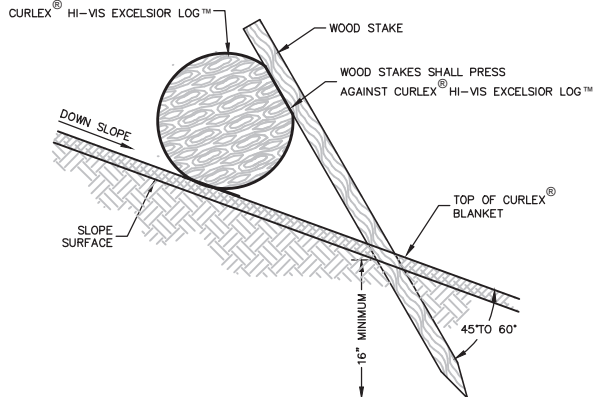
**SLOPE DETAIL**  
NO SCALE



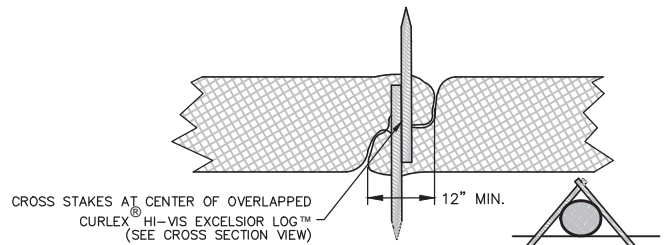
**STAKE DETAILS (ON BARE SOIL)**  
NO SCALE



**(OPTIONAL TRENCH ON BARE SOIL)**  
NO SCALE



**STAKE DETAILS (ON TOP OF CURLEX ECB)**  
NO SCALE



**ANCHOR DETAIL (PLAN VIEW) OVERLAPPING JOINT**  
NO SCALE

- NOTES:
- TRENCH OPTION IS MOST APPLICABLE IN LOOSE, UNCONSOLIDATED SOILS.
  - RECOMMENDED WOODEN STAKES ARE 1 1/8" X 1 1/8" X 30" FOR 9" CURLEX HI-VIS EXCELSIOR LOG.

American Excelsior Company Recommended Curlex HI-VIS Excelsior Log Maximum Spacing on Slopes

		Product Name	
		9 IN CURLEX HI-VIS EXCELSIOR LOG FT (M)	
Slope Gradient	≤ 4H:1V	40	(12.2)
	3H:1V	30	(9.1)
	2H:1V	20	(6.1)
	1H:1V	10	(3.0)

\*Tighter spacing may be required based on soil type and seasonal rainfall patterns. For best results, use slope interruption devices in conjunction with rolled erosion control products.

