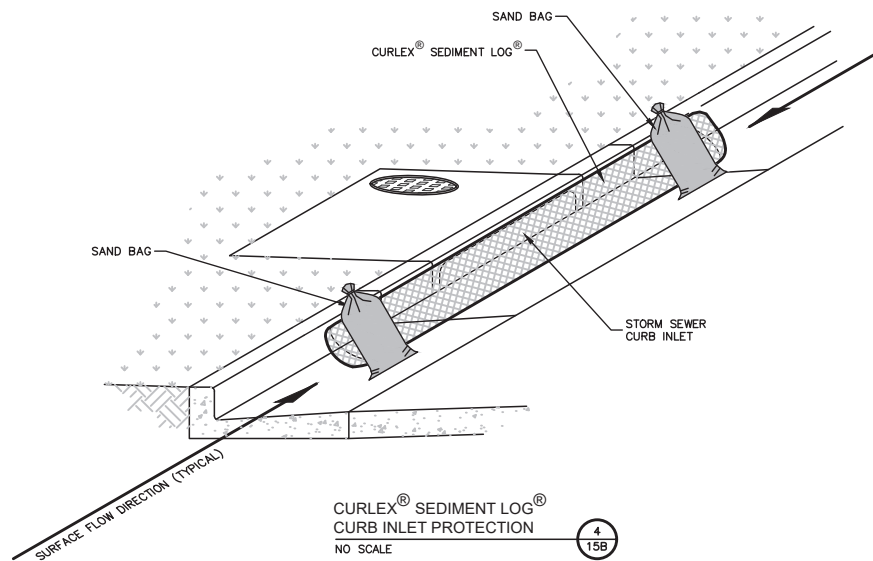


- NOTES:
1. TRENCH OPTION IS MOST APPLICABLE IN LOOSE, UNCONSOLIDATED SOILS.
 2. RECOMMENDED WOODEN STAKES ARE 1 1/8" X 1 1/8" X 30" FOR 6", 9", AND 12" CURLEX® SEDIMENT LOGS.
 3. RECOMMENDED WOODEN STAKES ARE 1 1/8" X 1 1/8" X 48" FOR 20" CURLEX® SEDIMENT LOGS.



American
Excelsior
Company®
Earth Science Division

AMERICAN EXCELSIOR COMPANY
ARLINGTON, TEXAS

SHEET DESCRIPTION
CURLEX® SEDIMENT LOG® BIO
INLET PROTECTION DETAIL

DATE 12/03/21
SCALE NONE

DRAWN BY
PROJECT NO.
SHEET NO. 15B