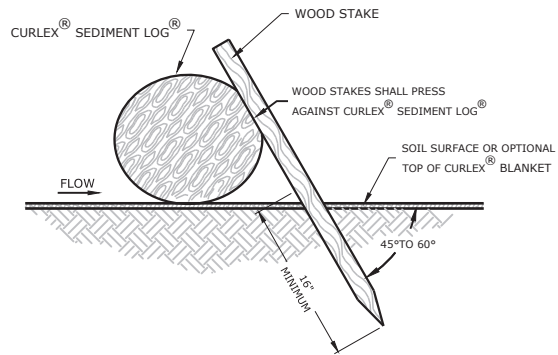


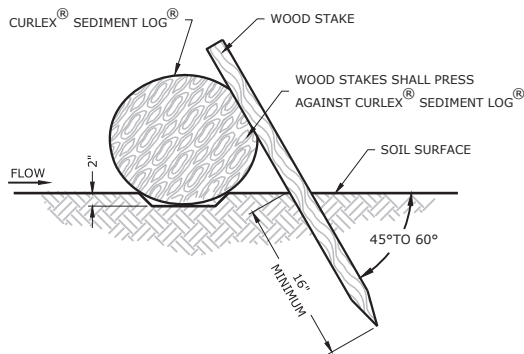
CURLEX® SEDIMENT LOG®
PERIMETER PROTECTION
NO SCALE

1
25B



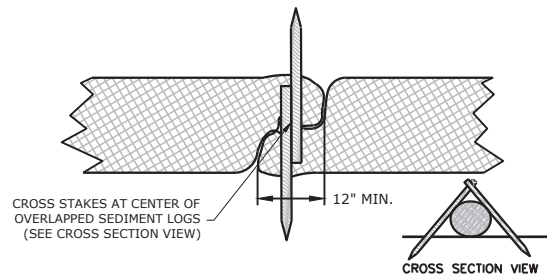
STAKE DETAIL
(WITH BLANKET) (NO TRENCH)
NO SCALE

2
25B



STAKE DETAIL
OPTIONAL TRENCH
NO SCALE

3
25B



ANCHOR DETAIL (PLAN VIEW)
OVERLAPPING JOINT
NO SCALE

4
25B

NOTES:

1. RECOMMENDED WOODEN STAKES ARE 1 1/8" X 1 1/8" X 30" FOR 6", 9", AND 12" CURLEX® SEDIMENT LOGS.
2. RECOMMENDED WOODEN STAKES ARE 1 1/8" X 1 1/8" X 48" FOR 20" CURLEX® SEDIMENT LOGS.

American
Excelsior
Company®
Earth Science Division

AMERICAN EXCELSIOR COMPANY
ARLINGTON, TEXAS

SHEET DESCRIPTION
CURLEX® SEDIMENT LOG® BIO
PERIMETER CONTROL DETAIL

DATE 12/03/21
SCALE NONE

DRAWN BY
PROJECT NO.
SHEET NO. 25B