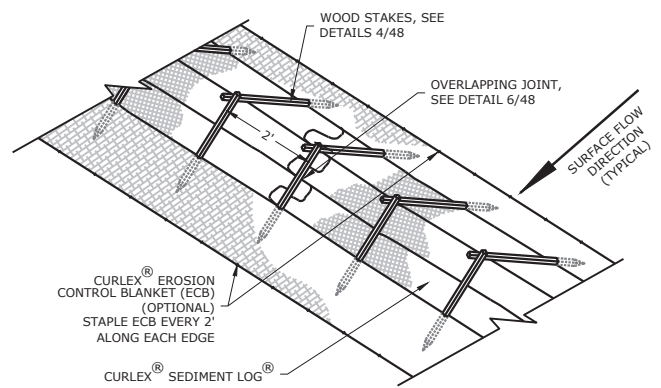
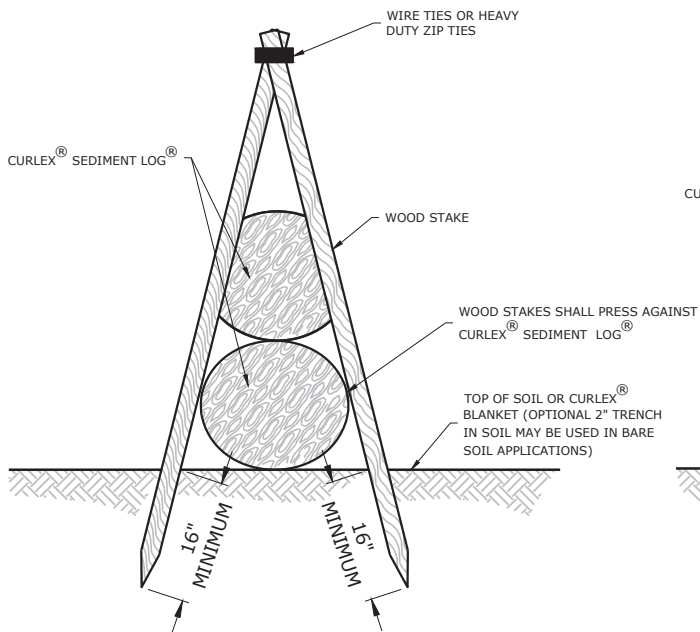


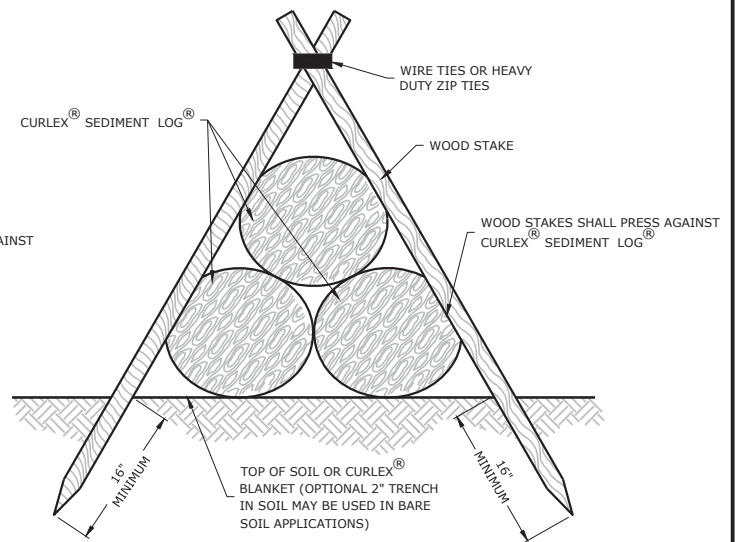
CURLEX® SEDIMENT LOG®
DOUBLE STACKED PROTECTION
NO SCALE 1
48



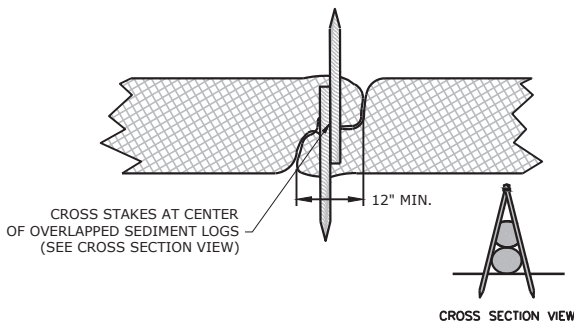
CURLEX® SEDIMENT LOG®
TRIPLE STACKED PROTECTION
NO SCALE 2
48



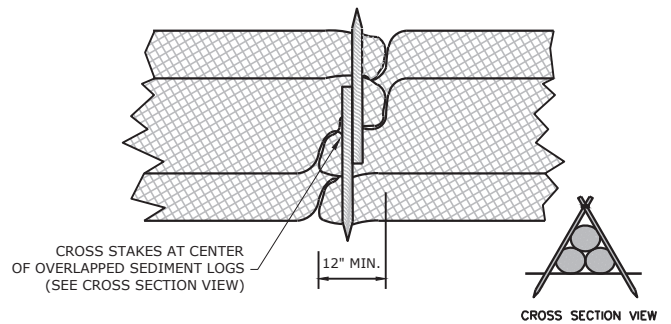
WOODEN STAKES
DOUBLE STACKED INSTALLATION
NO SCALE 3
48



WOODEN STAKES
TRIPLE STACKED INSTALLATION
NO SCALE 4
48



ANCHOR DETAIL (PLAN VIEW)
OVERLAPPING JOINT
NO SCALE 5
48



ANCHOR DETAIL (PLAN VIEW)
OVERLAPPING JOINT
NO SCALE 6
48

NOTES:

1. RECOMMENDED WOODEN STAKES ARE 1 1/8" X 1 1/8" X 30" FOR 6" CURLEX® SEDIMENT LOGS (DOUBLED STACKED).
2. RECOMMENDED WOODEN STAKES ARE 1 1/8" X 1 1/8" X 48" FOR 9" AND 12" CURLEX® SEDIMENT LOGS (TRIPLE STACKED).