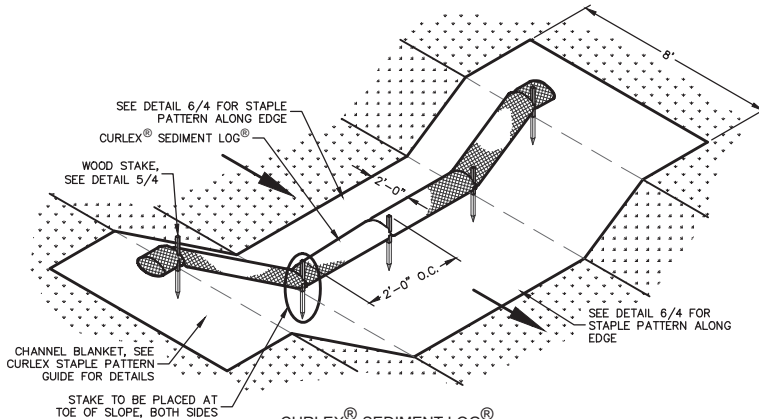


CURLEX® SEDIMENT LOG® DETAIL (NO BLANKET)
NO SCALE



CURLEX® SEDIMENT LOG® DETAIL (WITH BLANKET)
NO SCALE

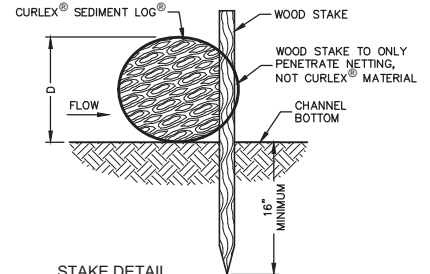
- NOTES:
1. TRENCH OPTION IS MOST APPLICABLE IN LOOSE, UNCONSOLIDATED SOILS.
 2. RECOMMENDED WOODEN STAKES ARE 1 1/8" X 1 1/8" X 30" FOR 6", 9", AND 12" CURLEX® SEDIMENT LOGS.
 3. RECOMMENDED WOODEN STAKES ARE 1 1/8" X 1 1/8" X 48" FOR 20" CURLEX® SEDIMENT LOGS.
 4. CURLEX® SEDIMENT LOG® SHALL BE OVERLAPPED IN CHANNELS REQUIRING MORE THAN ONE UNIT ACROSS THE CHANNEL WIDTH (SEE DETAIL 7/17).
 5. OVERLAPS SHALL NOT BE LOCATED IN CRITICAL AREAS SUCH AS CHANNEL CENTER, SIDE SLOPE CHANNEL BOTTOM INTERFACE, ETC.

Curlex® Sediment Log® - Recommended Spacing in Channelized Flow Applications

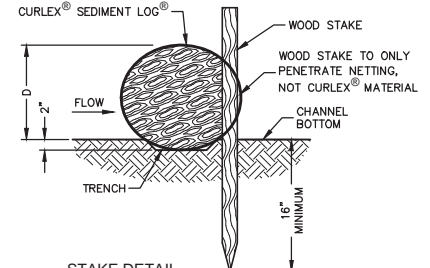
Channel Gradient (%)	Spacing Between Products (ft)			
	6 in Curlex® Sediment Log®	9 in Curlex® Sediment Log®	12 in Curlex® Sediment Log®	20 in Curlex® Sediment Log®
0.5	91.7	136.7	183.3	250.0
1	45.8	68.3	91.7	125.0
1.5	30.6	45.6	61.1	83.3
2	22.9	34.2	45.8	62.5
2.5	18.3	27.3	36.7	50.0
3	15.3	22.8	30.6	41.7
3.5	13.1	19.5	26.2	35.7
4	11.5	17.1	22.9	31.3
4.5	10.2	15.2	20.4	27.8
5	9.2	13.7	18.3	25.0
5.5	8.3	12.4	16.7	22.7
6	7.6	11.4	15.3	20.8
6.5	7.1	10.5	14.1	19.2
7	6.5	9.8	13.1	17.9
7.5	6.1	9.1	12.2	16.7
8	5.7	8.5	11.5	15.6
8.5	5.4	8.0	10.8	14.7
9	5.1	7.6	10.2	13.9
9.5	4.8	7.2	9.6	13.2
10	4.6	6.8	9.2	12.5
11	4.2	6.2	8.3	11.4
12	3.8	5.7	7.6	10.4
13	3.5	5.3	7.1	9.6
14	3.3	4.9	6.5	8.9
15	3.1	4.6	6.1	8.3
16	2.9	4.3	5.7	7.8
17	2.7	4.0	5.4	7.4
18	2.5	3.8	5.1	6.9
19	2.4	3.6	4.8	6.6
20	2.3	3.4	4.6	6.3
25	1.8	2.7	3.7	5.0
30	1.5	2.3	3.1	4.2
35	1.3	2.0	2.6	3.6
40	1.1	1.7	2.3	3.1
45	1.0	1.5	2.0	2.8
50	0.9	1.4	1.8	2.5

Notes:

1. Spacing of Curlex Sediment Logs is calculated by: $\frac{\text{Distance between channel bottom and top of installed Curlex Sediment Log(ft)} \times \text{Channel gradient } (\%) \times 100}{\text{Curlex Sediment Log Spacing (ft)}}$
2. Minimum installed heights used for determining spacing values in table. Minimum installed heights of 6 in, 9 in, 12 in, and 20 in Curlex Sediment Logs are 5.5 in, 8.2 in, 11.0 in, and 15.0 in, respectively.

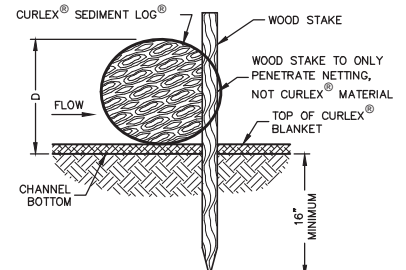


STAKE DETAIL (BARE SOIL) (NO TRENCH)
NO SCALE

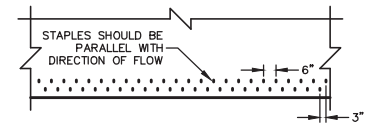


STAKE DETAIL (BARE SOIL) (WITH TRENCH)
NO SCALE

NOTE: TRENCH OPTION IS MOST APPLICABLE IN LOOSE, UNCONSOLIDATED SOILS



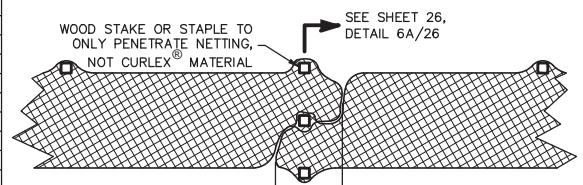
STAKE DETAIL (WITH BLANKET) (NO TRENCH)
NO SCALE



CHANNEL TERMINATION PLAN
NO SCALE

$$\left[\frac{\text{DISTANCE BETWEEN CHANNEL BOTTOM AND TOP OF INSTALLED CURLEX® SEDIMENT LOG® (D)(ft)}}{\text{CHANNEL GRADIENT } (\%)} \right] \times 100 = \text{CURLEX® SEDIMENT LOG® SPACING (ft)}$$

RECOMMENDED PLACEMENT INTERVAL BETWEEN CURLEX® SEDIMENT LOG®



ANCHOR DETAIL (PLAN VIEW) OPTIONAL OVERLAPPING JOINT
NO SCALE

American Excelsior Company®
Earth Science Division

AMERICAN EXCELSIOR COMPANY
ARLINGTON, TEXAS

SHEET DESCRIPTION
CURLEX® SEDIMENT LOG®
DITCH/CHANNEL APPLICATION DETAIL

DATE 12/03/21
SCALE NONE

DRAWN BY
PROJECT NO.
SHEET NO. 4