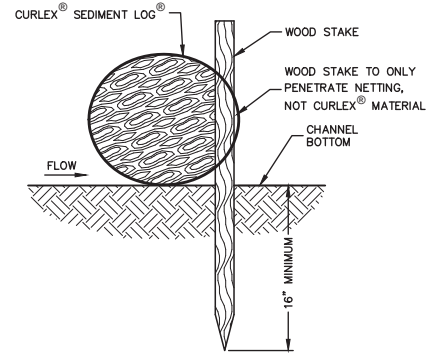
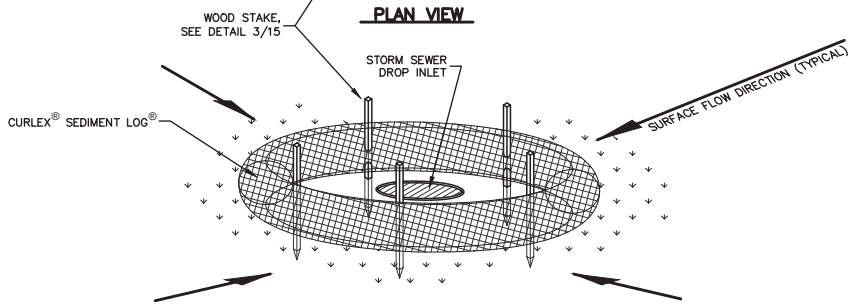


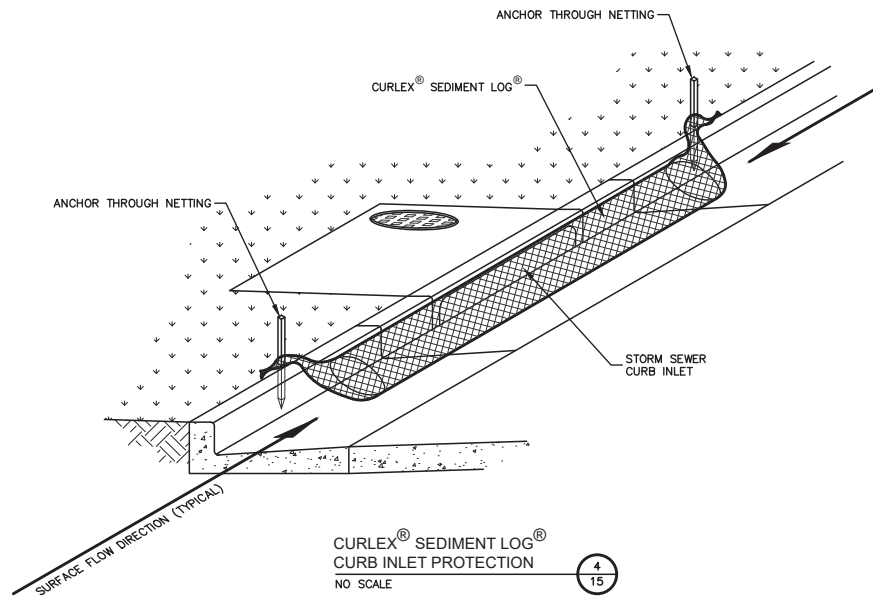
STAKE DETAIL
NO SCALE 2
15



STAKE DETAIL
NO SCALE 3
15

**CURLEX SEDIMENT LOG
DROP INLET PROTECTION**
NO SCALE 1
15

- NOTES:
 1. TRENCH OPTION IS MOST APPLICABLE IN LOOSE, UNCONSOLIDATED SOILS.
 2. RECOMMENDED WOODEN STAKES ARE 1 1/8" X 1 1/8" X 30" FOR 6", 9", AND 12" CURLEX SEDIMENT LOGS.
 3. RECOMMENDED WOODEN STAKES ARE 1 1/8" X 1 1/8" X 48" FOR 20" CURLEX SEDIMENT LOGS.



**CURLEX SEDIMENT LOG
CURB INLET PROTECTION**
NO SCALE 4
15