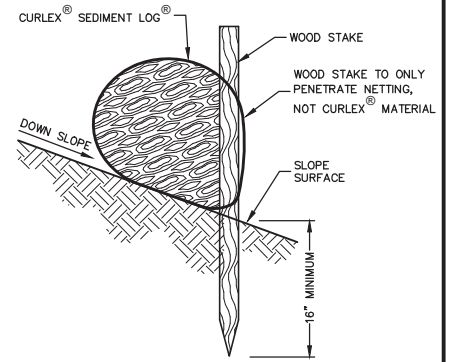
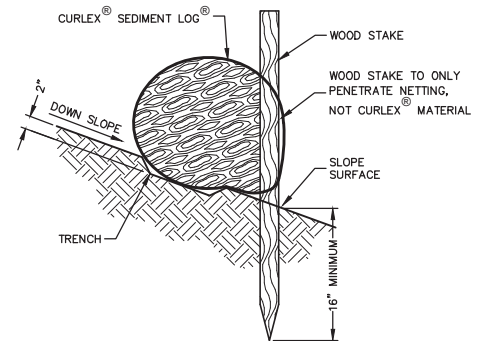


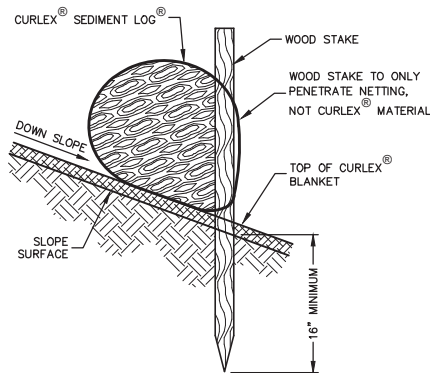
**SLOPE DETAIL**  
NO SCALE



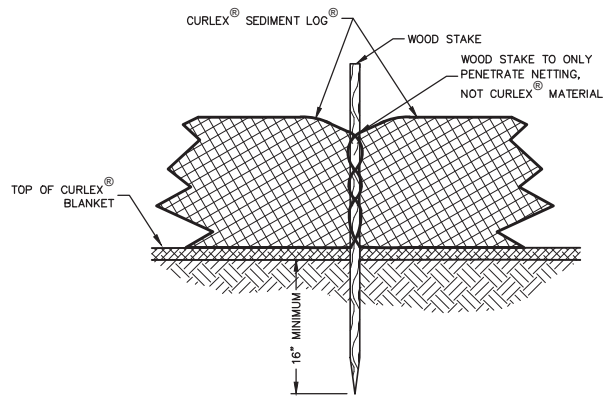
**STAKE DETAILS (ON BARE SOIL)**  
NO SCALE



**(OPTIONAL TRENCH ON BARE SOIL)**  
NO SCALE



**STAKE DETAILS (ON TOP OF CURLEX® ECB)**  
NO SCALE



**STAKE DETAIL (FRONT VIEW)**  
NO SCALE

- NOTES:
- TRENCH OPTION IS MOST APPLICABLE IN LOOSE, UNCONSOLIDATED SOILS.
  - RECOMMENDED WOODEN STAKES ARE 1 1/8" X 1 1/8" X 30" FOR 6", 9", AND 12" CURLEX® SEDIMENT LOGS.
  - RECOMMENDED WOODEN STAKES ARE 1 1/8" X 1 1/8" X 48" FOR 20" CURLEX® SEDIMENT LOGS.

American Excelsior Company Recommended Curlex® Sediment Log® Maximum Spacing on Slopes<sup>a</sup>

Slope Gradient	Product Name			
	6 in Curlex® Sediment Log® ft (m)	9 in Curlex® Sediment Log® ft (m)	12 in Curlex® Sediment Log® ft (m)	20 in Curlex® Sediment Log® ft (m)
≤ 4H:1V	20 (6.1)	40 (12.2)	60 (18.3)	80 (24.4)
3H:1V	15 (4.6)	30 (9.1)	45 (13.7)	60 (18.3)
2H:1V	10 (3.0)	20 (6.1)	30 (9.1)	40 (12.2)
1H:1V	5 (1.5)	10 (3.0)	15 (4.6)	20 (6.1)

<sup>a</sup>Tighter spacing may be required based on soil type and seasonal rainfall patterns. For best results, use slope interruption devices in conjunction with rolled erosion control products.

**American Excelsior Company®**  
Earth Science Division

**AMERICAN EXCELSIOR COMPANY**  
ARLINGTON, TEXAS

SHEET DESCRIPTION  
**CURLEX® SEDIMENT LOG®**  
SLOPE INTERRUPTION DETAIL

DATE 12/03/21  
SCALE NONE

DRAWN BY  
PROJECT NO.  
SHEET NO. 18