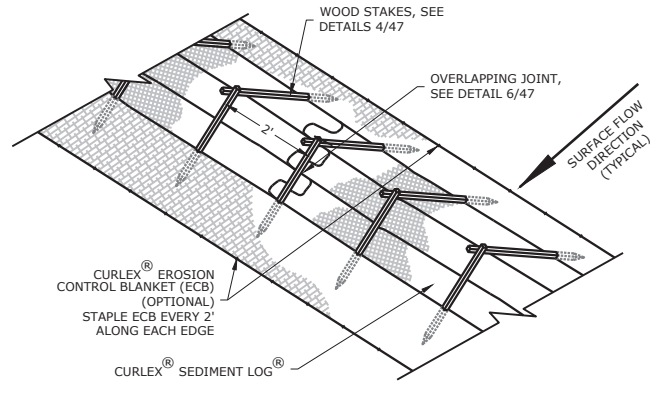


CURLEX<sup>®</sup> SEDIMENT LOG<sup>®</sup>  
DOUBLE STACKED PROTECTION

NO SCALE

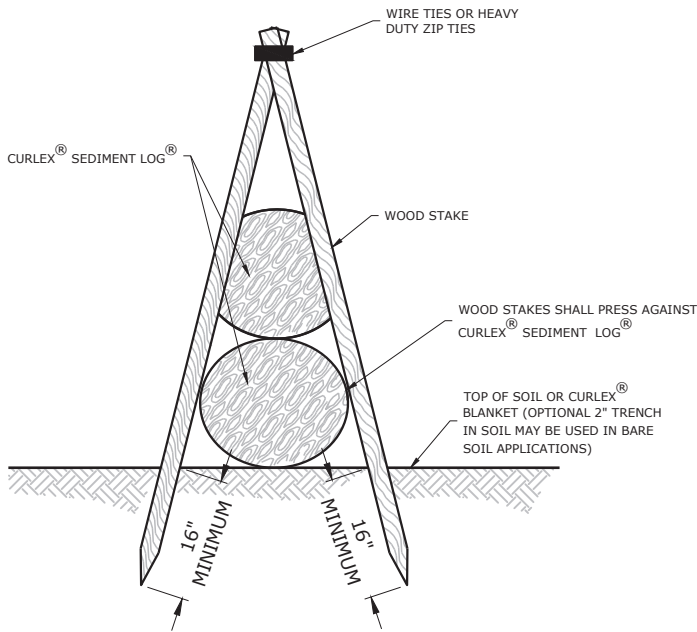
1/47



CURLEX<sup>®</sup> SEDIMENT LOG<sup>®</sup>  
TRIPLE STACKED PROTECTION

NO SCALE

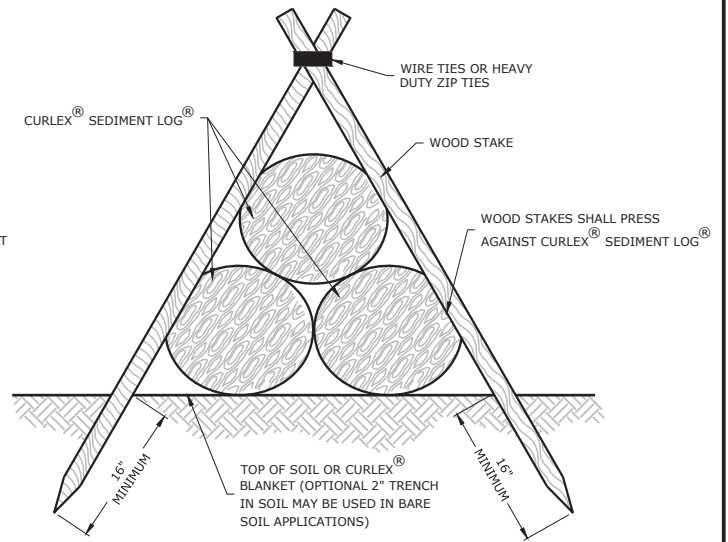
2/47



WOODEN STAKES  
DOUBLE STACKED INSTALLATION

NO SCALE

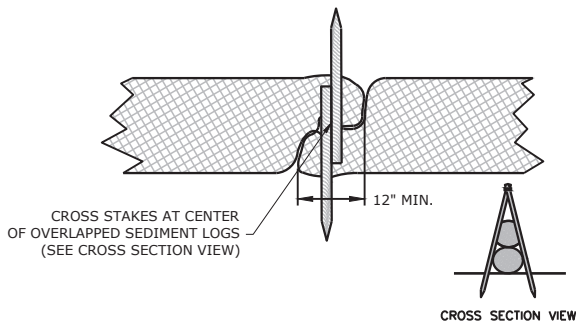
3/47



WOODEN STAKES  
TRIPLE STACKED INSTALLATION

NO SCALE

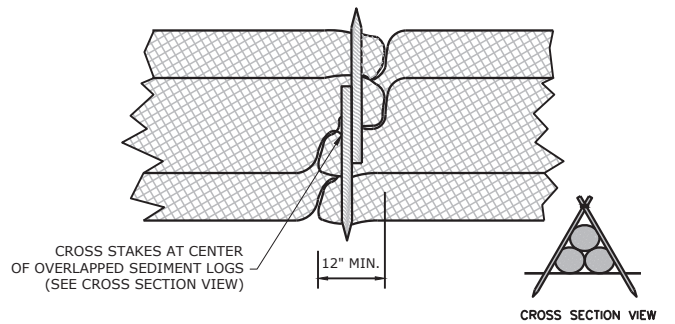
4/47



ANCHOR DETAIL (PLAN VIEW)  
OVERLAPPING JOINT

NO SCALE

5/47



ANCHOR DETAIL (PLAN VIEW)  
OVERLAPPING JOINT

NO SCALE

6/47

NOTES:

1. RECOMMENDED WOODEN STAKES ARE 1 1/8" X 1 1/8" X 30" FOR 6" CURLEX<sup>®</sup> SEDIMENT LOGS (DOUBLED STACKED).
2. RECOMMENDED WOODEN STAKES ARE 1 1/8" X 1 1/8" X 48" FOR 9" AND 12" CURLEX<sup>®</sup> SEDIMENT LOGS (TRIPLE STACKED).