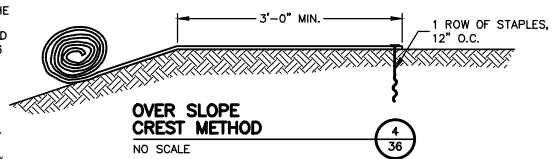
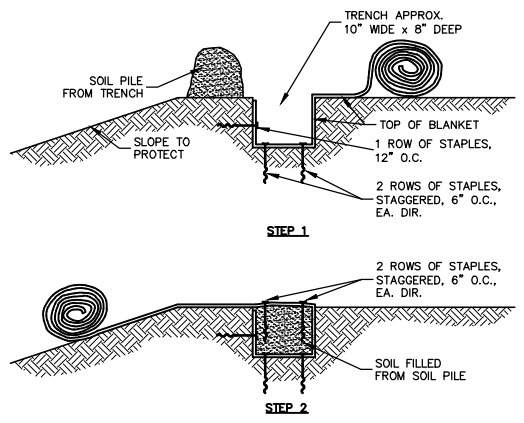


SLOPE DETAIL
NO SCALE

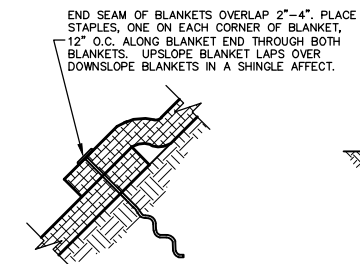


OVER SLOPE CREST METHOD
NO SCALE

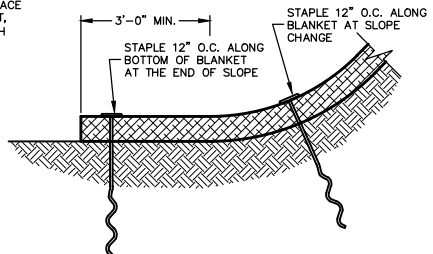
DO NOT NEED TO TRENCH BLANKET IF IT CAN BE EXTENDED A MINIMUM OF 3'-0" OVER THE CREST OF THE SLOPE.



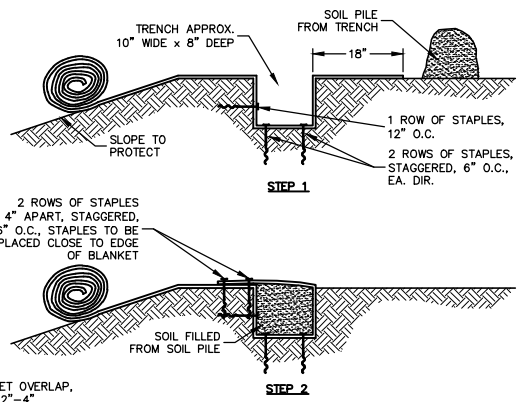
SLOPE TRENCHING METHOD "A"
NO SCALE



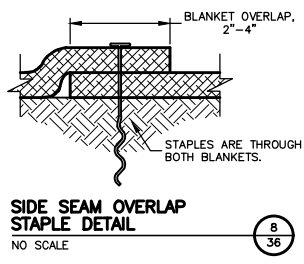
END ROLL OVERLAP
NO SCALE



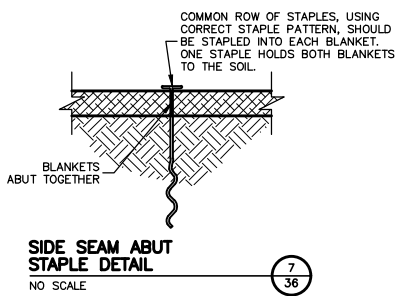
BOTTOM OF SLOPE TERMINATION IF INSTALLED 3' BEYOND THE TOE OF SLOPE
NO SCALE



SLOPE TRENCHING METHOD "B"
NO SCALE



SIDE SEAM OVERLAP STAPLE DETAIL
NO SCALE



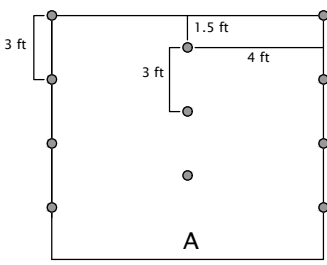
SIDE SEAM ABUT STAPLE DETAIL
NO SCALE

TriNet® Curlex® Turf Reinforcement Mat (TRM) Staple Pattern Guide

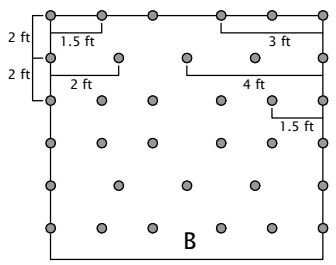
For 8 ft wide TriNet TRM
Adjust horizontal staple spacing for 16ft wide TRM

Application	Slope	
	≤ 3H:1V	≤ .5H:1V
Staple Pattern	A	B

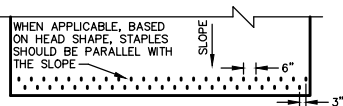
● = Staple Placement



1.2 Staples/yd²



3.3 Staples/yd²



BOTTOM OF SLOPE TERMINATION IF INSTALLATION 3' BEYOND TOE OF SLOPE IS NOT POSSIBLE
NO SCALE

- Notes:
- For tough/cohesive soil, use TL-TA2 Gripple twist anchors; for moderate/non-cohesive soil, use TL-TA1 Gripple twist anchors.
 - Adjust staple pattern so staples are placed in critical slope points (e.g. slope change)

