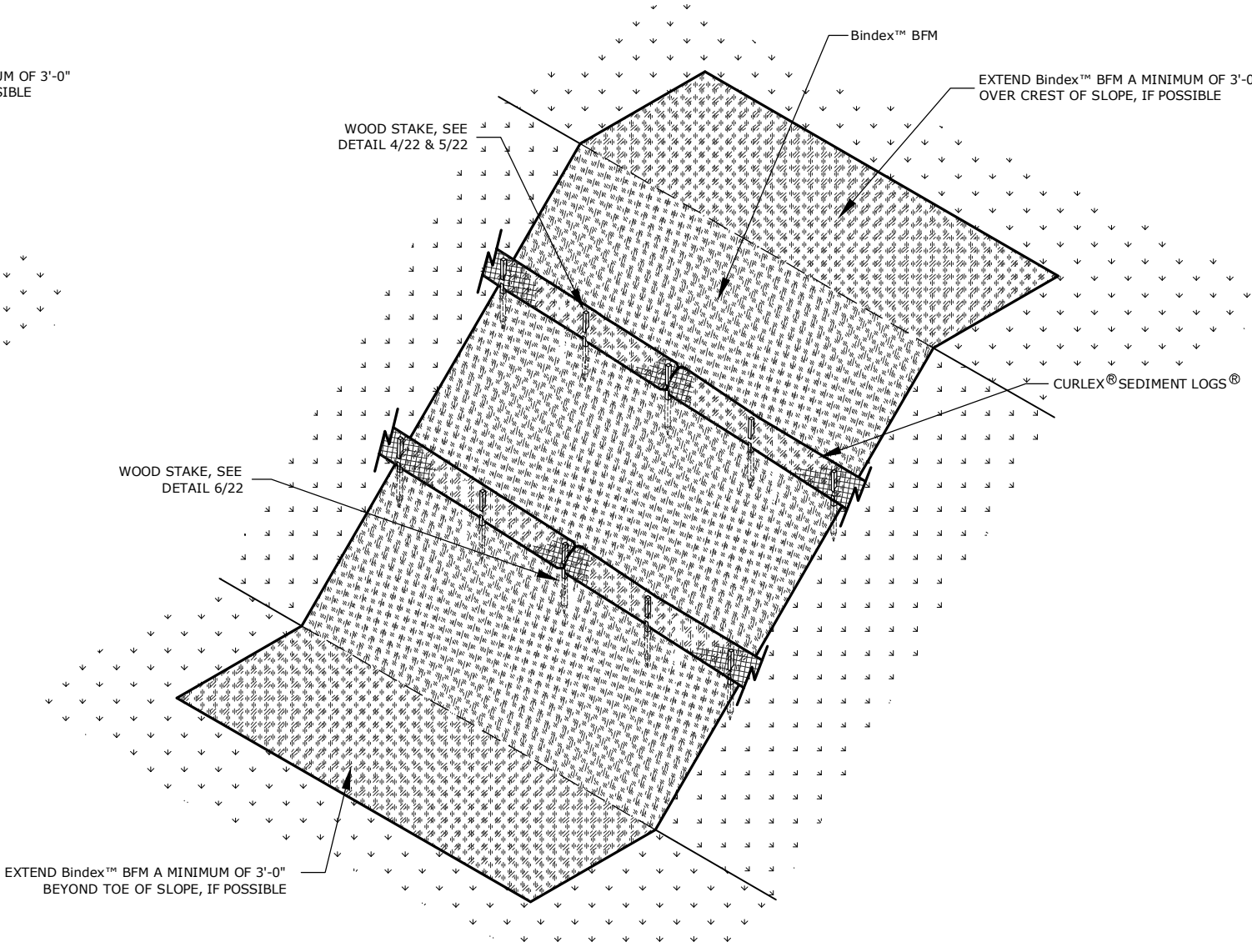


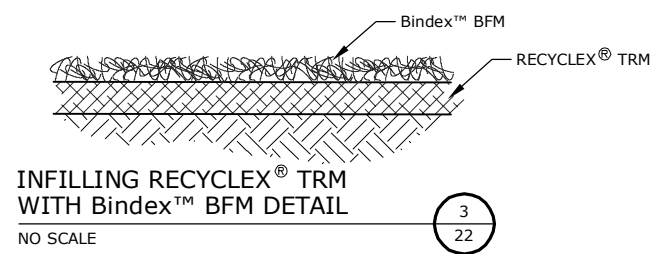
Bindex™ BFM Slope Detail 1
22
NO SCALE

- NOTE:
- 1) APPLY Bindex™ BFM FROM TWO DIRECTIONS FOR BEST RESULTS.
 - 2) SEE Bindex™ BFM INSTALLATION GUIDELINES FOR APPLICATION RATES, LOADING CHART, MIXING PROCEDURES, AND APPLICATION TIPS.



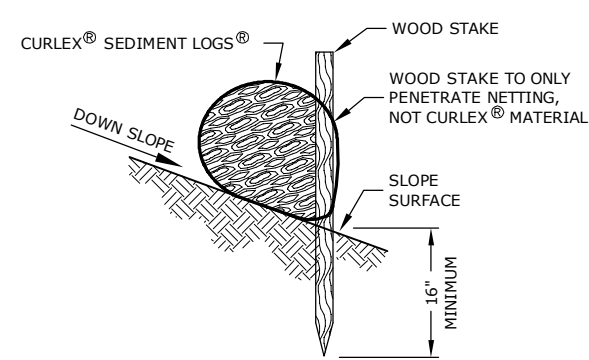
Bindex™ BFM WITH SLOPE INTERRUPTION DETAIL 2
22
NO SCALE

- NOTE:
- 1) TRENCH OPTION IS MOST APPLICABLE IN LOOSE, UNCONSOLIDATED SOILS.
 - 2) 1 1/8" X 1 1/8" X 30" WOODEN STAKES ARE RECOMMENDED FOR 6", 9", AND 12" SEDIMENT LOGS®.
 - 3) 1 1/8" X 1 1/8" X 48" WOODEN STAKES ARE RECOMMENDED FOR 20" SEDIMENT LOGS®.
 - 4) INSTALL CURLEX® SEDIMENT LOGS® PERPENDICULAR TO SLOPE LENGTH AT PROPER SPACING INTERVAL PRIOR TO APPLYING Bindex™ BFM WHEN SLOPE INTERRUPTION IS USED.

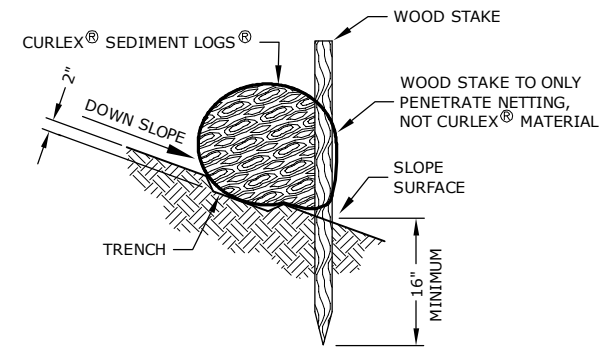


INFILLING RECYCLEX® TRM WITH Bindex™ BFM DETAIL 3
22
NO SCALE

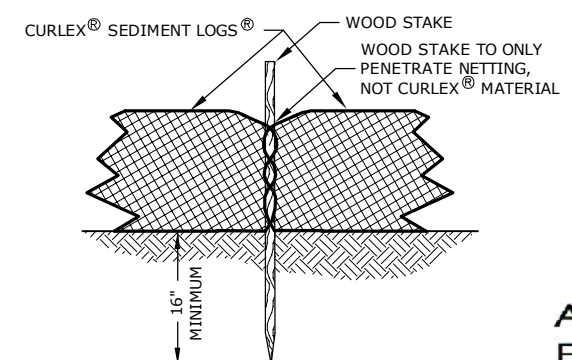
- NOTE:
- 1) PROPERLY INSTALL RECYCLEX® TRM FIRST THEN INFILL WITH Bindex™ BFM AT 3,500 lb/acre.
 - 2) OPTIONALLY, 1,000 lb/acre Bindex™ BFM AND A PORTION OF THE SEED AND OTHER SPECIFIED AMENDMENTS MAY BE APPLIED TO SOIL FIRST FOLLOWED BY PROPER INSTALLATION OF RECYCLEX® TRM AND LASTLY INFILLING RECYCLEX® TRM WITH THE REMAINING 2,500 lb/acre OF Bindex™ BFM AND PORTION OF SEED AND SPECIFIED AMENDMENTS.
 - 3) SEE Bindex™ BFM INSTALLATION GUIDELINES, LOADING CHART, MIXING PROCEDURES, AND APPLICATION TIPS.



STAKE DETAILS (ON BARE SOIL) 4
22
NO SCALE



STAKE DETAIL (OPTIONAL TRENCH ON BARE SOIL) 5
22
NO SCALE
TAKE DETAIL



STAKE DETAIL (FRONT VIEW) 6
22
NO SCALE



PROJECT MANAGER	
CHECKED BY:	
APPROVED BY:	
NO.	BY DATE REVISIONS

AMERICAN EXCELSIOR COMPANY
ARLINGTON, TEXAS

SHEET DESCRIPTION
Bindex™ BFM SLOPE APPLICATION DETAIL

DATE 1/11/11	DRAWN BY
SCALE NONE	PROJECT NO.
	SHEET NO. 22