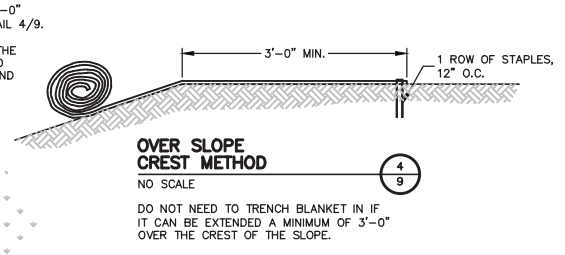
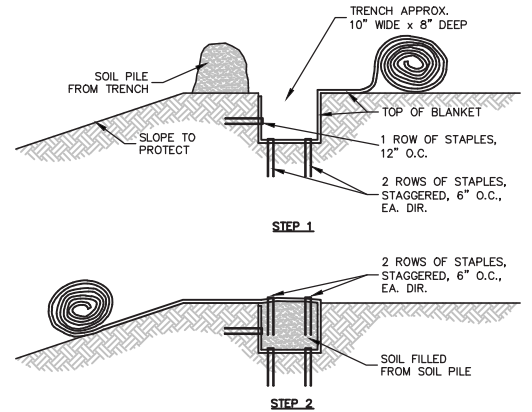


SLOPE DETAIL
NO SCALE

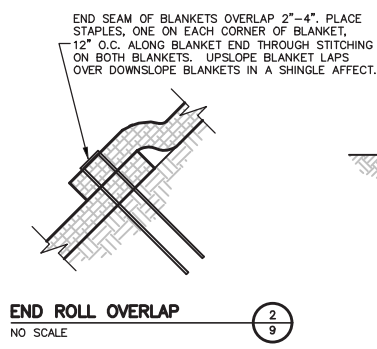


OVER SLOPE CREST METHOD
NO SCALE

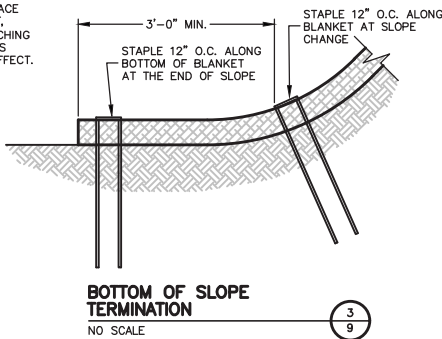
DO NOT NEED TO TRENCH BLANKET IN IF IT CAN BE EXTENDED A MINIMUM OF 3'-0" OVER THE CREST OF THE SLOPE.



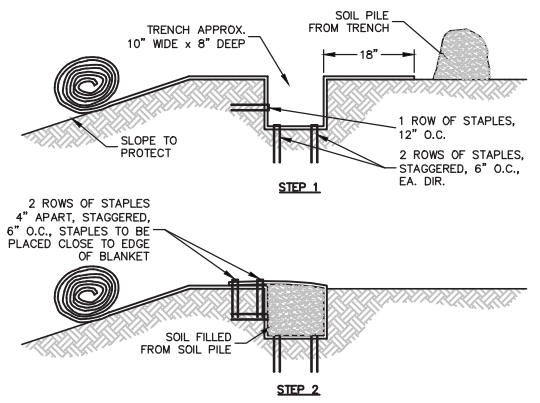
SLOPE TRENCHING METHOD "A"
NO SCALE



END ROLL OVERLAP
NO SCALE



BOTTOM OF SLOPE TERMINATION
NO SCALE

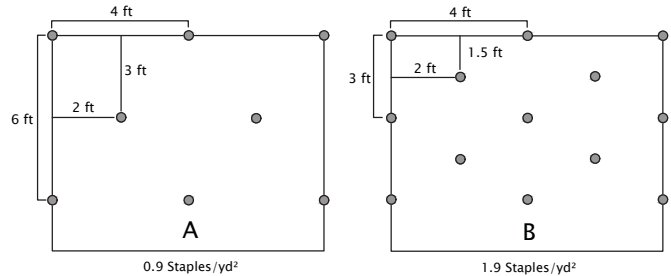


SLOPE TRENCHING METHOD "B"
NO SCALE

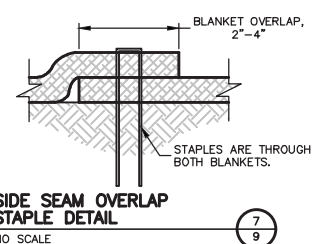
Curlex® NetFree™ Staple Pattern Guide

Application	Slope	
	≤ 4H:1V	≤ 3H:1V
Staple Pattern	A	B

● = Staple Placement



- Notes:
1. Recommended staples include 6 in long steel or 4 in long 100% biodegradable E-Staple®, as provided by American Excelsior Company, for cohesive soils and 8 in long steel staples or 6 in long 100% biodegradable E-staple®, as provided by American Excelsior Company, for non-cohesive soils.
 2. Staples shall be placed on a stitch line and for best results insert staples so heads are parallel to the flow of water.



SIDE SEAM OVERLAP STAPLE DETAIL
NO SCALE

