

NOTES:
CURLEX® SEDIMENT LOGS SHALL BE OVERLAPPED IN CHANNELS REQUIRING MORE THAN ONE UNIT ACROSS THE CHANNEL WIDTH (SEE DETAIL 7/4B).
OVERLAPS SHALL NOT BE LOCATED IN CRITICAL AREAS SUCH AS CHANNEL CENTER, SIDE SLOPE CHANNEL BOTTOM INTERFACE, ETC..

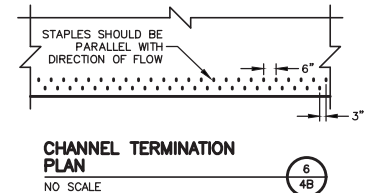
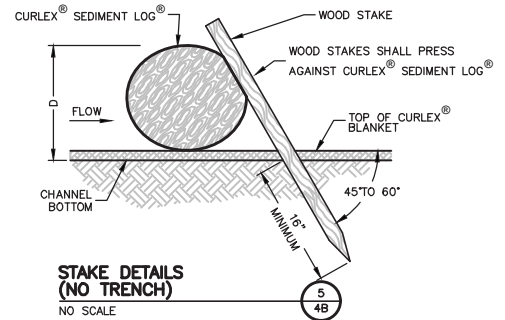
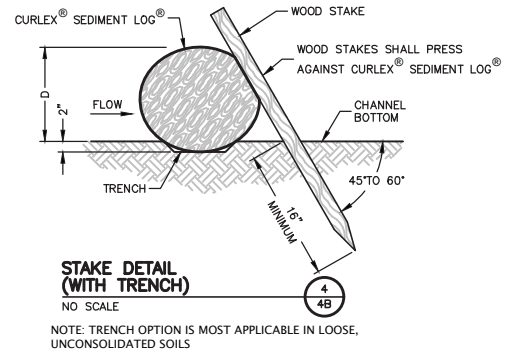
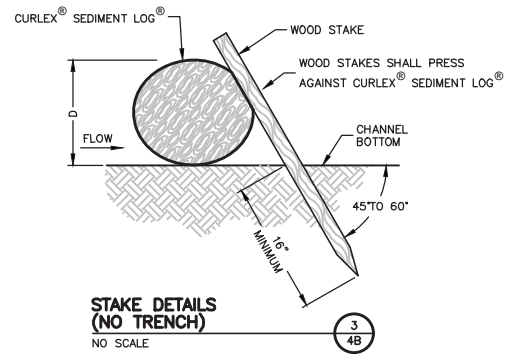
Curlex® Sediment Log® - Recommended Spacing in Channelized Flow Applications

Channel Gradient (%)	Spacing Between Products (ft)			
	6 in Curlex Sediment Log	9 in Curlex Sediment Log	12 in Curlex Sediment Log	20 in Curlex Sediment Log
0.5	91.7	136.7	183.3	250.0
1	45.8	68.3	91.7	125.0
1.5	30.6	45.6	61.1	83.3
2	22.9	34.2	45.8	62.5
2.5	18.3	27.3	36.7	50.0
3	15.3	22.8	30.6	41.7
3.5	13.1	19.5	26.2	35.7
4	11.5	17.1	22.9	31.3
4.5	10.2	15.2	20.4	27.8
5	9.2	13.7	18.3	25.0
5.5	8.3	12.4	16.7	22.7
6	7.6	11.4	15.3	20.8
6.5	7.1	10.5	14.1	19.2
7	6.5	9.8	13.1	17.9
7.5	6.1	9.1	12.2	16.7
8	5.7	8.5	11.5	15.6
8.5	5.4	8.0	10.8	14.7
9	5.1	7.6	10.2	13.9
9.5	4.8	7.2	9.6	13.2
10	4.6	6.8	9.2	12.5
11	4.2	6.2	8.3	11.4
12	3.8	5.7	7.6	10.4
13	3.5	5.3	7.1	9.6
14	3.3	4.9	6.5	8.9
15	3.1	4.6	6.1	8.3
16	2.9	4.3	5.7	7.8
17	2.7	4.0	5.4	7.4
18	2.5	3.8	5.1	6.9
19	2.4	3.6	4.8	6.6
20	2.3	3.4	4.6	6.3
25	1.8	2.7	3.7	5.0
30	1.5	2.3	3.1	4.2
35	1.3	2.0	2.6	3.6
40	1.1	1.7	2.3	3.1
45	1.0	1.5	2.0	2.8
50	0.9	1.4	1.8	2.5

Notes:

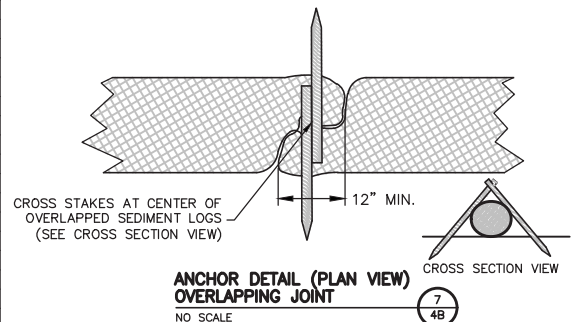
- Spacing of Curlex Sediment Logs is calculated by:

$$\left[\frac{\text{Distance between channel bottom and top of installed Curlex Sediment Log (ft)}}{\text{Channel gradient (\%)}} \right] \times 100 = \text{Curlex Sediment Log Spacing (ft)}$$
- Minimum installed heights used for determining spacing values in table. Minimum installed heights of 6 in, 9 in, 12 in, and 20 in Curlex Sediment Logs are 5.5 in, 8.2 in, 11.0 in, and 15.0 in, respectively.



$$\left[\frac{\text{DISTANCE BETWEEN CHANNEL BOTTOM AND TOP OF INSTALLED CURLEX® SEDIMENT LOG® (D)(ft)}}{\text{CHANNEL GRADIENT (\%)}} \right] \times 100 = \text{CURLEX® SEDIMENT LOG® SPACING (ft)}$$

RECOMMENDED PLACEMENT INTERVAL BETWEEN CURLEX® SEDIMENT LOG®



American
Excelsior
Company®
Earth Science Division

AMERICAN EXCELSIOR COMPANY
ARLINGTON, TEXAS

SHEET DESCRIPTION
CURLEX® SEDIMENT LOG® BIO
DITCH/CHANNEL APPLICATION DETAIL

DATE 02/22/21
SCALE NONE
DRAWN BY
PROJECT NO.
SHEET NO. 4B